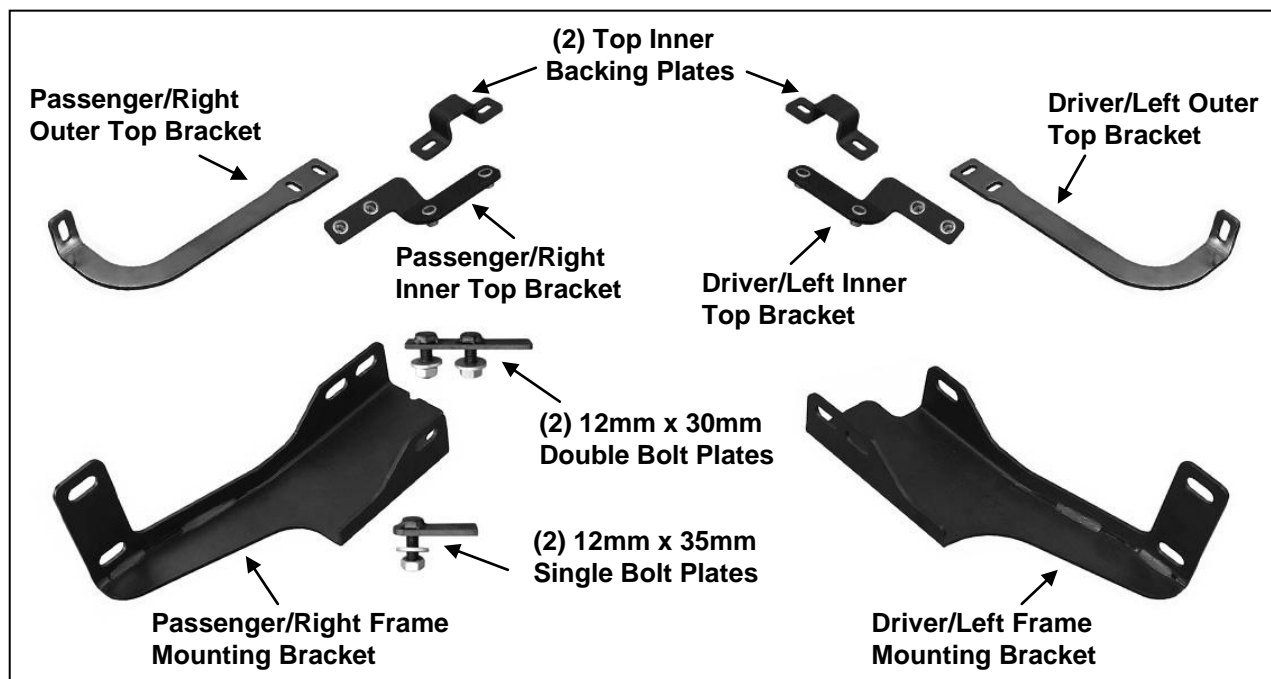




INSTALLATION INSTRUCTIONS
GRILL GUARD
CHEVY SUBURBAN /TAHOE 2015
PART #4087/4087-2

PARTS LIST:

Qty	Description	Qty	Description
1	Grille Guard Assembly	6	12mm Nylon Lock Nuts
1	Driver/Left Frame Mounting Bracket	4	10-1.50mm x 30mm Hex Bolts
1	Passenger/Right Frame Mounting Bracket	8	10mm x 27mm OD x 3mm Flat Washers
1	Driver/Left Outer Top Bracket	4	10mm Nylon Lock Nuts
1	Passenger/Right Outer Top Bracket	2	8-1.25mm x 25mm Button Head Allen Bolts
1	Driver/Left Top Inner Bracket	4	8mm x 16mm OD x 1.6mm Flat Washers
1	Passenger/Right Top Inner Bracket	2	8-1.25mm Nylon Lock Nuts
2	Top Inner Backing Plates	8	6-1.0mm x 25mm Hex Bolts
2	12-1.75mm x 30mm Double Bolt Plates	8	6mm x 18mm OD x 1.6mm Flat Washers
2	12-1.75mm x 35mm Single Bolt Plates	8	6mm Lock Washers
6	12mm x 24mm OD x 2.5mm Flat Washers	1	Wrench



PROCEDURE:

REMOVE CONTENTS FROM BOX AND VERIFY ALL PARTS ARE PRESENT. READ INSTRUCTIONS CAREFULLY. DO NOT ATTEMPT INSTALLATION ALONE; PERSONAL INJURY OR DAMAGE TO THE VEHICLE MAY RESULT. CUTTING MAY BE REQUIRED. ASSISTANCE IS HIGHLY RECOMMENDED. INSTALLATION MAY INTERFERE WITH FRONT MOUNTED SENSORS AND ADAPTIVE CRUISE CONTROL.

1. Start installation from under the front of the vehicle. Determine if the vehicle is equipped with tow hooks.
 - Tow Hook equipped vehicles:**
 - a. Temporarily remove the driver side tow hook from the end of the frame channel, **(Figure 1)**.
 - b. Select the driver side Frame Bracket, **(Figure 6)**. Insert the Bracket into the opening for the tow hook. Line up the Bracket with the (3) holes in the frame for the tow hook hardware.
 - c. Insert the tow hook back into position in the frame. **NOTE:** Trim around the Bracket as necessary for clearance.
 - d. Insert the tow hook hardware through the Bracket, frame and tow hook, **(Figures 8, 9A & 9B)**. Do not tighten hardware at this time.
 - e. Repeat to install the passenger side Frame Bracket.

f. Proceed to **Step 2**.

Vehicles without tow hooks:

- a. From under the driver side of the front bumper, remove the hardware attaching the plastic fill panel to the back of the bumper and fender liner, **(Figure 3)**. Pull the panel down to access back of bumper, **(Figure 4)**.
 - b. Remove the fog light or plastic block off to access the back of the plastic bumper insert. Repeat to remove the passenger side fog light or plastic block off, **(Figure 5)**.
 - c. Release the clips to remove the bumper insert panel, **(Figure 5)**.
 - d. Select the driver side Frame Bracket, **(Figure 6)**. Select (1) 12mm Double Bolt Plate, **(Figure 7A)**. Insert the Bolt Plate into the end of the frame and out through the (2) holes in the side of the frame.
 - e. Insert the driver side frame Bracket into the opening in the bumper. Line up the (2) holes in the Bracket with the holes in the frame. Insert the Double Bolt Plate into the frame and out through the Bracket, **(Figures 8 & 9A)**. Secure the Bracket to the Bolt Plate with (2) 12mm Flat Washers and (2) 12mm Nylon Lock Nuts. Leave hardware loose. Repeat this **Step** to install the 12mm x 35mm Single Bolt Plate, **(Figure 7B)**, into the single remaining hole in the other side of the frame channel and Bracket, **(Figures 8 & 9B)**. Leave hardware loose at this time.
 - f. Repeat the previous Steps to install the passenger side Frame Bracket.
 - g. Hold the plastic bumper insert panel up to the Mounting Brackets. Mark the location of the Brackets onto the insert, **(Figure 10)**. Cut out the sections to clear the Brackets. **IMPORTANT:** Make several small cuts for best fit. Do not cut through the top or bottom edge of the panel. Reinstall the plastic insert around the Brackets once openings have been properly trimmed to clear the Brackets.
NOTE: It may be necessary or easier to temporarily loosen or remove the Brackets to reinstall the bumper insert over the ends of the brackets. Do not reinstall the fog lights or block offs at this time.
2. With assistance, hold the Grille Guard up in position on the outside of the Mounting Brackets. Bolt the Grille Guard to the Brackets with (4) 10mm x 30mm Hex Bolts, (8) 10mm Flat Washers and (4) 10mm Nylon Lock Nuts, **(Figure 11)**. Do not tighten hardware at this time.
 3. Check the Grille guard alignment with the vehicle. Adjust as required then tighten the 12mm Frame Bracket hardware. Do not fully tighten the Grille Guard to Bracket hardware at this time.
 4. Next, open the hood and remove the plastic cover between the top of the grille and the radiator, **(Figure 12)**. **NOTE:** Use a small flat blade screw driver to pop up the center of the plastic clips.
 5. Locate and remove the hardware bolting the grille in place. If the area between the radiator and the grille is not visible, carefully pull the grille straight out from the vehicle to release the grille from the clips and tilt forward if more room is needed, **(Figure 13)**. **NOTE:** It is not necessary to completely remove the grille, just make sure all hardware has been removed before pulling on grille to release from clips.
 6. Locate the square tube support braces running up at an angle from the top of the frame channel to the bottom of the hood release mechanism, **(Figure 13)**. Select the driver side Inner Top Bracket and (1) Backing Plate, **(Figure 14)**. Hold the Inner Bracket up to the bottom of the brace tube with the Backing Plate over the top. Bolt the Brackets together around the square tube with (2) 6mm x 25mm Hex Bolts, (2) 6mm Lock Washers and (2) 6mm Flat Washers, **(Figure 15)**. Leave loose at this time.
 7. Select the driver side Outer Top Bracket, **(Figures 15 & 16)**. Insert the Outer Bracket through an opening in the grille and up to the Inner Top Bracket assembly, **(Figures 15 & 17)**. **NOTE:** Select an opening in the grille that will line up the top bracket assembly as level as possible. Slide the inner Bracket assembly up or down the square tube to match up with the Outer Top Bracket and the openings in the grille, **(Figure 15)**.
 8. Once properly lined up, tighten the (2) 6mm Hex Bolts attaching the inner Bracket to the Backing Plate. Next, attach the Outer Bracket to the top of the Inner Bracket with (2) 6mm x 25mm Hex Bolts, (2) 6mm Lock Washers and (2) 6mm Flat Washers, **(Figure 15)**. Leave hardware loose at this time.
 9. Line up the outer bent end of the Top Bracket with the hole in the Grille Guard upright. Bolt the Bracket to the upright with (1) 8mm x 25mm Button Head Allen Bolt, (2) 8mm Flat Washers and (1) 8mm Nylon Lock Nut, **(Figure 17)**.
 10. Repeat **Steps 6—9** for passenger side Top Bracket assembly installation.
 11. Level and adjust the Grille Guard and fully tighten all hardware. **IMPORTANT:** Adjust the position of the Top Brackets so that they cannot come in contact with the plastic grille, **(Figure 17)**.
 12. Reinstall the fog lights or plastic block offs removed in **Step 1**. Reattach the grille and reinstall the top plastic cover removed in **Step 4**.

13. Do periodic inspections to the installation to make sure that all hardware is secure and tight.

To protect your investment, wax this product after installing. Regular waxing is recommended to add a protective layer over the finish. Do not use any type of polish or wax that may contain abrasives that could damage the finish.

For stainless steel: Aluminum polish may be used to polish small scratches and scuffs on the finish. Mild soap may be used also to clean the Grille Guard.

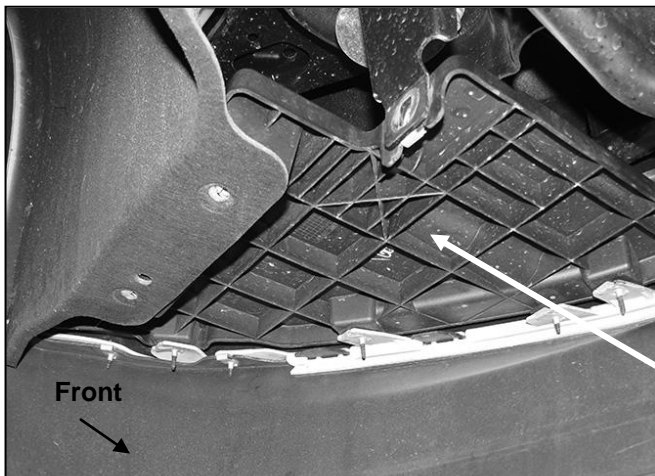
For gloss black finishes: Mild soap may be used to clean the Grille Guard.



(Fig 1) Tow hook pictured



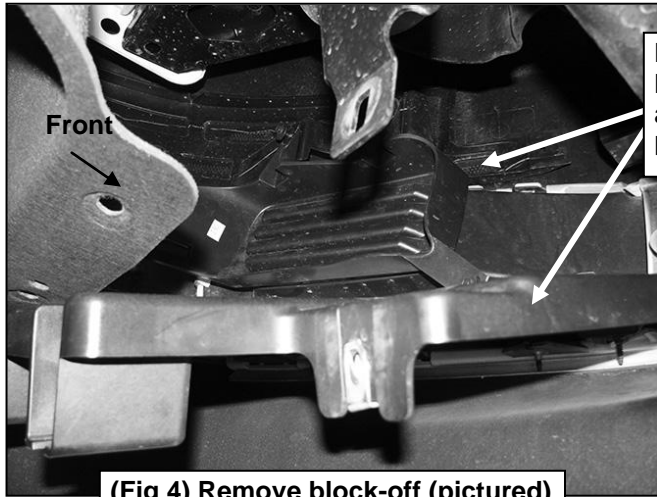
(Fig 2) Model without tow hooks



(Fig 3) Driver side pictured from behind bumper

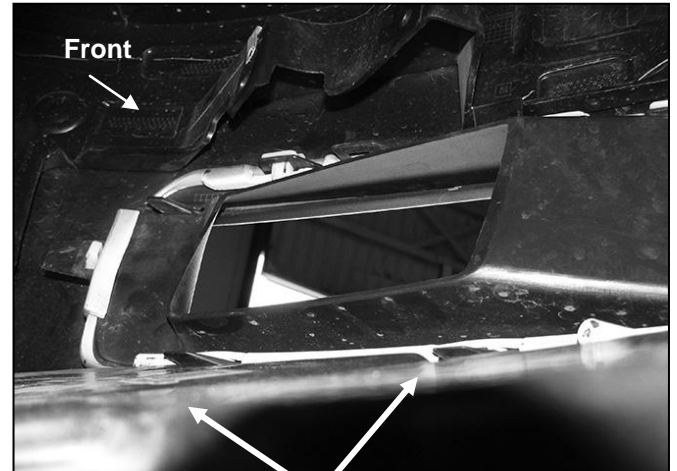
Remove hardware and drop down plastic fill panel to access back of bumper. Remove fill panel behind bumper or fog lights

Driver Side Installation Pictured

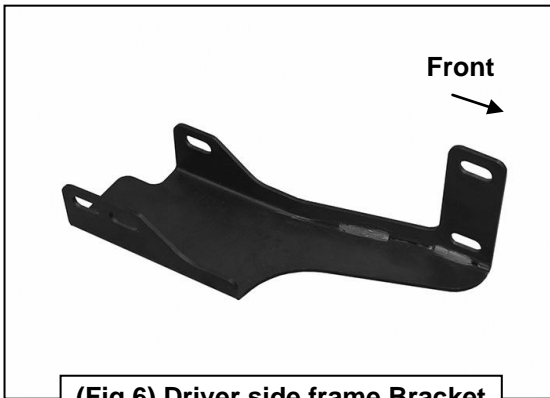


Models without tow hooks: Remove hardware and drop down plastic fill panel to access back of bumper. Remove block-off behind bumper or fog lights

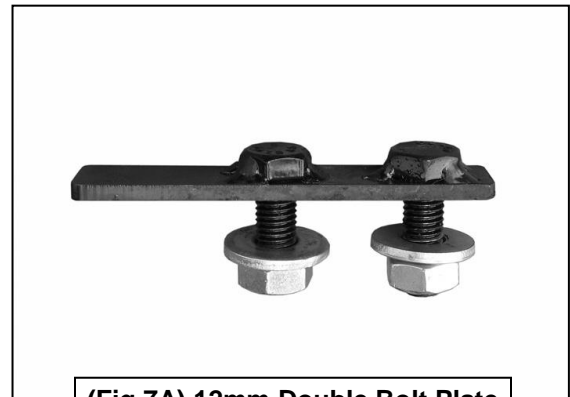
(Fig 4) Remove block-off (pictured) or fog lights if equipped



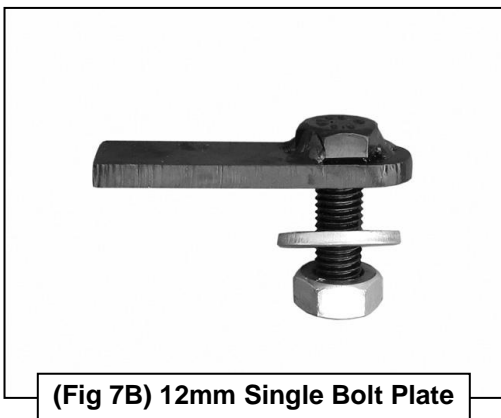
(Fig 5) Release clips to remove bumper fill panel



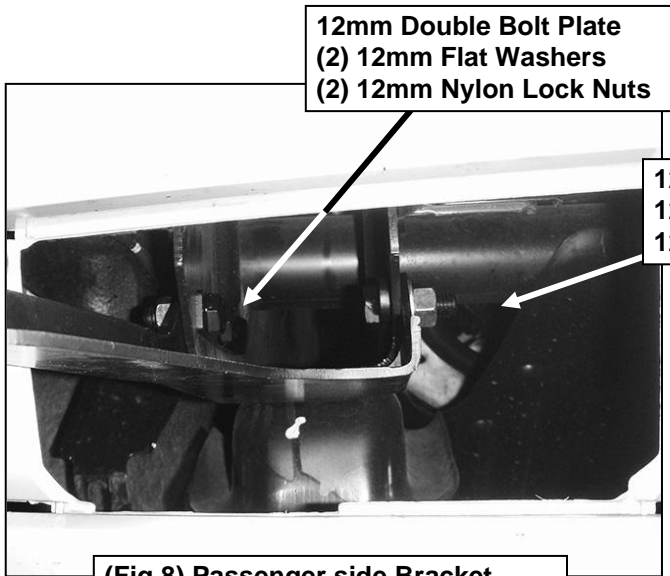
(Fig 6) Driver side frame Bracket



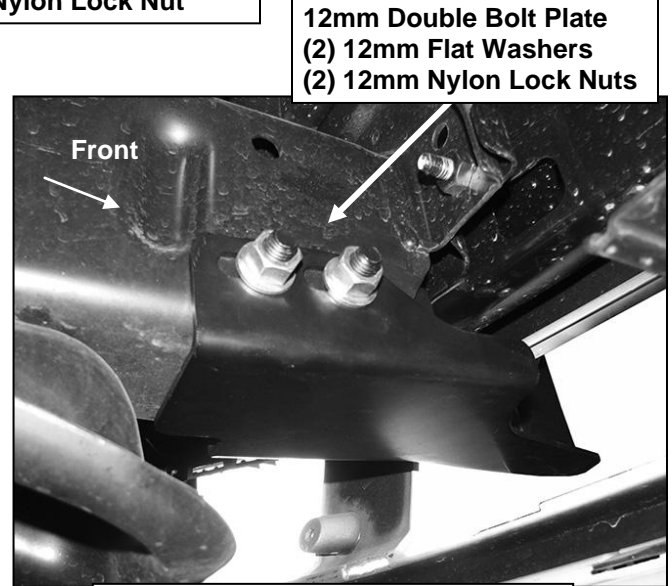
(Fig 7A) 12mm Double Bolt Plate



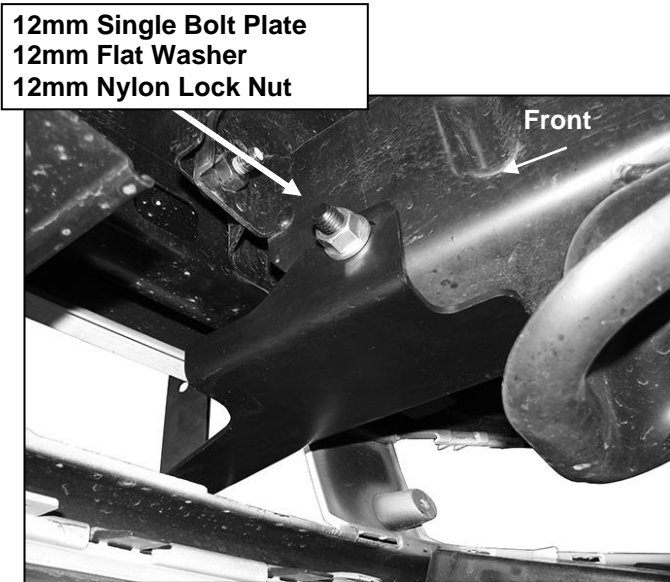
(Fig 7B) 12mm Single Bolt Plate



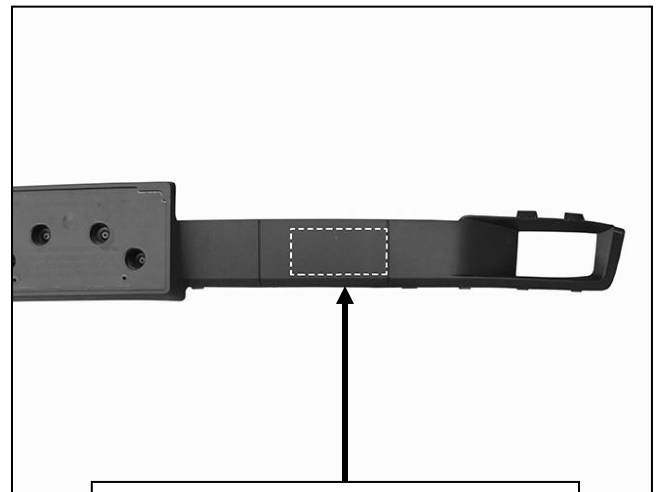
(Fig 8) Passenger side Bracket installation pictured without plastic panel for instruction purposes only



(Fig 9A) Driver side Bracket installation pictured without plastic panel for instruction purposes only



(Fig 9B) Passenger side Bracket installation pictured without plastic panel for instruction purposes only



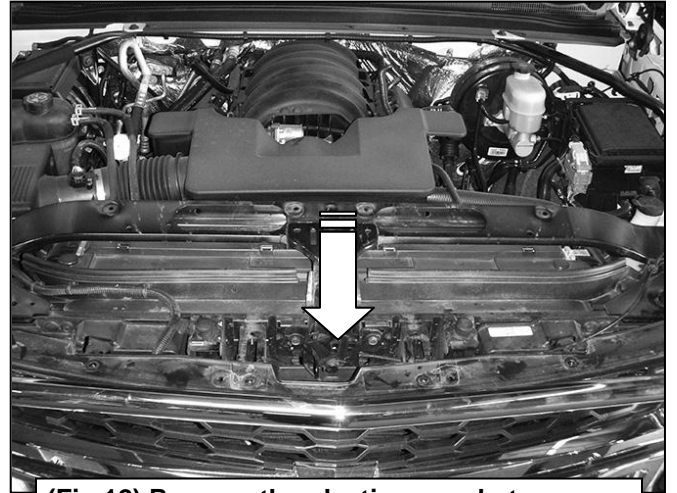
(Fig 10) Driver side plastic fill panel cut out illustrated for reference only

Driver Side Installation Pictured

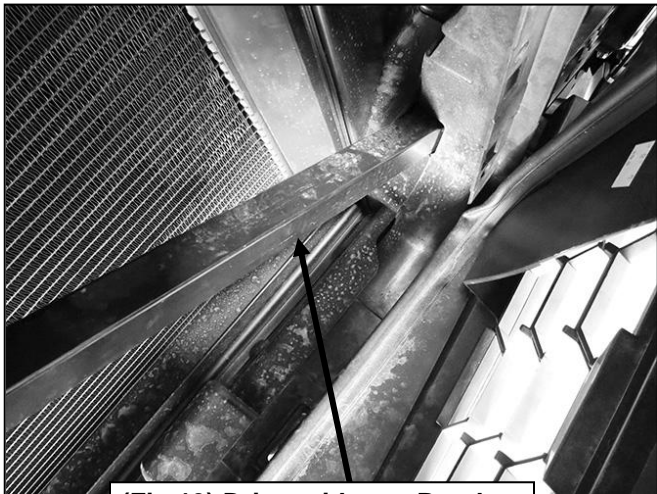


- (2) 10mm x 30mm Hex Bolts
- (4) 10mm Flat Washers
- (2) 10mm Nylon Lock Nuts

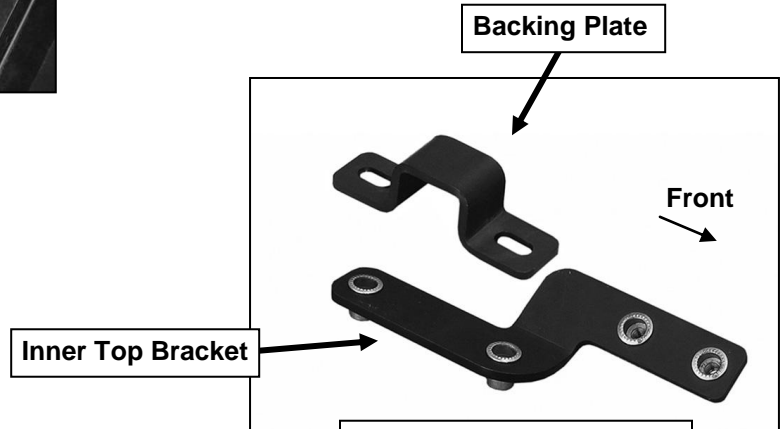
(Fig 11) Driver side Grille Guard installation pictured without plastic panel for instruction purposes only



(Fig 12) Remove the plastic cover between the top of the grille and the radiator. Remove the hardware securing the grille and tilt grille forward for access between grille and radiator



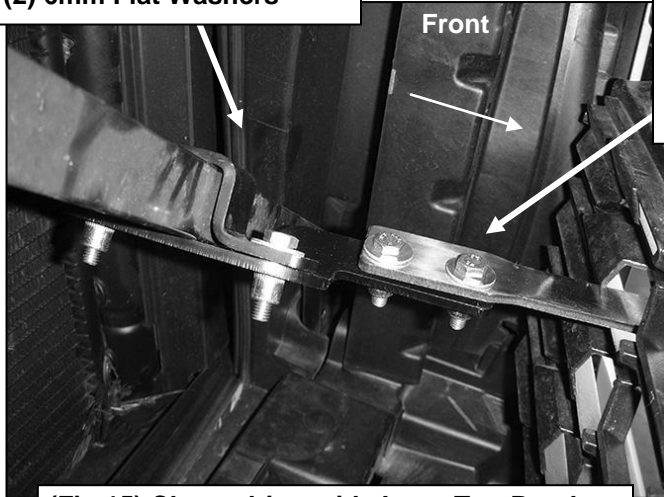
(Fig 13) Driver side top Bracket mounting location behind grille



(Fig 14) Driver side inner Top Brackets pictured

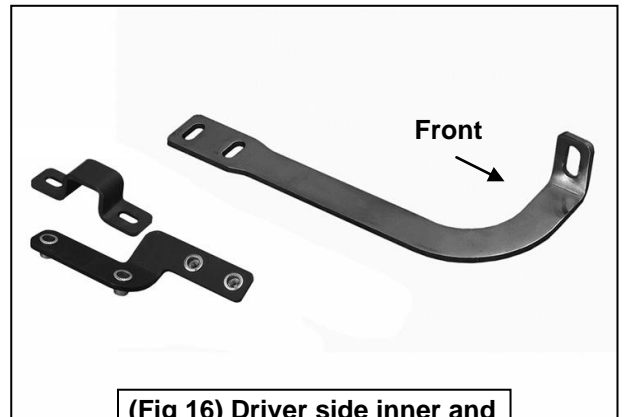
Driver Side Installation Pictured

Bolt the Backing Plate to the driver side Top Inner Bracket with:
(2) 6mm x 25mm Hex Bolts
(2) 6mm Lock Washers
(2) 6mm Flat Washers

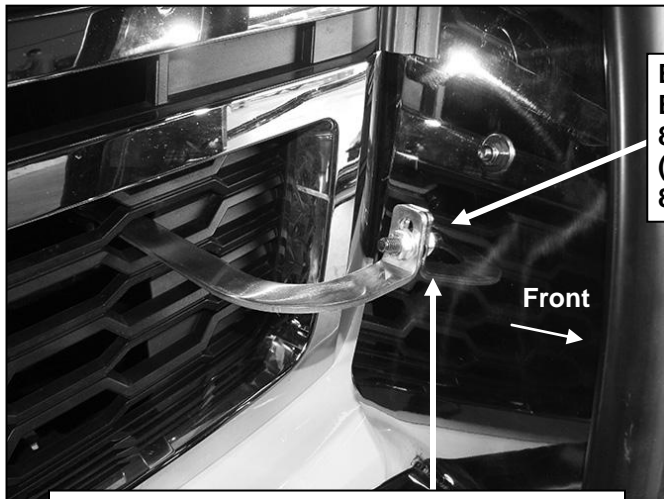


(Fig 15) Clamp driver side Inner Top Bracket to square hood latch support tube

Bolt the Backing Plate to the driver side Top Inner Bracket with:
(2) 6mm x 25mm Hex Bolts
(2) 6mm Lock Washers
(2) 6mm Flat Washers



(Fig 16) Driver side inner and outer Top Brackets pictured



(Fig 17) Driver side Top Bracket installation pictured. Adjust position so that Bracket cannot come in contact with plastic grille

Bolt the Top Inner Bracket to the Backing Plate with:
8mm x 25mm Button Head Allen Bolt
(2) 8mm Flat Washers
8mm Nylon Lock Nut



Complete Installation