

GRILLE GUARD
2015 SIERRA 25-3500
EXCLUDES DENALI MODELS

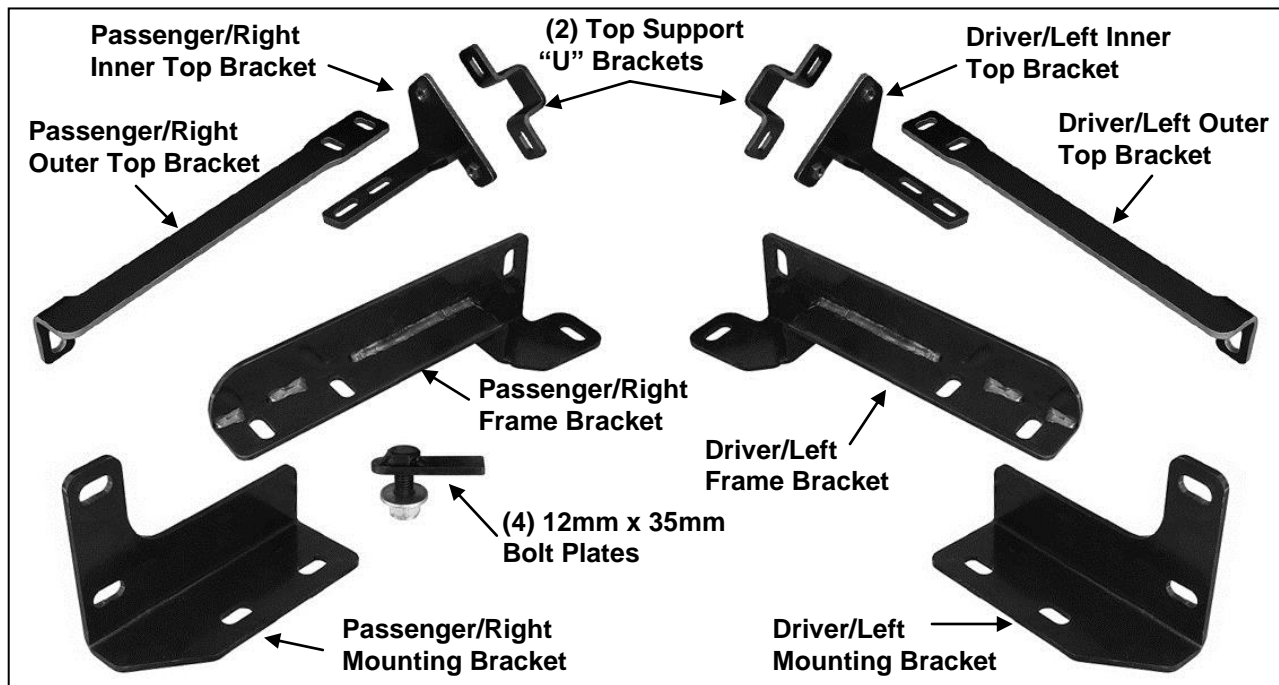


INSTALLATION INSTRUCTIONS

**GRILLE GUARD
2015 SIERRA 25-3500
EXCLUDES DENALI MODELS
PART # 4086-2/4086**

PARTS LIST:

Qty	Description	Qty	Description
1	Grille Guard Assembly	4	12-1.75mm Nylon Lock Nut
1	Driver/Left Frame Bracket	8	10-1.5mm x 30mm Button Head Bolt
1	Passenger/Right Frame Bracket	16	10mm x 24mm OD x 2.2mm Flat Washer
1	Driver/Left Mounting Bracket	8	10-1.5mm Nylon Lock Nut
1	Passenger/Right Mounting Bracket	2	8-1.25mm x 25mm Button Head Bolt
1	Driver/Left Top Bracket (Outer)	4	8-1.25mm x 25mm Hex Bolt
1	Driver/Left Top Bracket (Inner)	12	8mm x 22mm OD x 2mm Flat Washer
1	Passenger/Right Top Bracket (Outer)	6	8-1.25mm Nylon Lock Nut
1	Passenger/Right Top Bracket (Inner)	4	6-1.0mm x 25mm Hex Bolt
2	Top Support "U" Rear Plate	4	6mm x 18mm OD x 1.6mm Flat Washer
4	12-1.75mm x 35mm Bolt Plate	4	6mm Lock Washer
4	12mm x 32mm OD x 3mm Flat Washer		



PROCEDURE:

REMOVE CONTENTS FROM BOX AND VERIFY ALL PARTS ARE PRESENT. READ INSTRUCTIONS CAREFULLY. DO NOT ATTEMPT INSTALLATION ALONE; PERSONAL INJURY OR DAMAGE TO THE VEHICLE MAY RESULT. CUTTING MAY BE REQUIRED. ASSISTANCE IS HIGHLY RECOMMENDED. GRILLE GUARD INSTALLATION MAY INTERFERE WITH FRONT MOUNTED SENSORS.

1. Start installation at the front, passenger side of the vehicle. Determine if the vehicle is equipped with tow hooks, (Figure 1).

Tow Hook equipped vehicles:

Remove the factory tow hooks from the end of each frame channel, (Figure 2). **NOTE:** Tow hooks cannot be reinstalled with the Grille Guard.

Vehicles without tow hooks:

Cut out the indented area in both sides of the plastic bumper to clear the Brackets only. **IMPORTANT:** Make several small cuts for best fit around the Frame Mounting Bracket.

2. Next, select the passenger side Frame Bracket, **(Figure 3)**. From behind the bumper, insert the Bracket up and out through the opening in the plastic bumper, **(Figures 4A & 4B)**. Line up the (2) holes in the Bracket with the holes in the frame for the tow hook.
3. Select (2) 12mm Bolt Plates, **(Figure 5)**. Insert the Bolt Plates into the end of the frame channel and out through the holes in the bottom and outer side of the frame, **(Figures 6A & 6B)**. Secure the Bracket to the Bolt Plates with (2) 12mm Flat Washers and (2) 12mm Nylon Lock Nuts, **(Figure 6B)**. Do not fully tighten hardware at this time.
4. Select the passenger side Mounting Bracket, **(Figure 7)**. Bolt the Mounting Bracket to the bottom of the Frame Bracket with (2) 10mm x 30mm Button Head Bolts, (4) 10mm Flat Washers and (2) 10mm Nylon Lock Nuts, **(Figure 8)**. Do not tighten hardware at this time.
5. Repeat **Steps 2—4** to install the driver side Frame and Mounting Brackets.
6. Next, open the hood and remove the plastic cover between the top of the grille and radiator, **(Figure 9)**.
NOTE: Use a small flat head screw driver to pop up the center of the plastic clips. Remove the hardware securing the outer ends of the grille to the vehicle.
7. Carefully pull the grille forward to release it from the clips. Tilt the top of the grill forward to access the area between the grille and the radiator, **(Figure 10)**. Do not remove grille.
8. Locate the square tube support braces running up at an angle from the top of the frame channel to the bottom of the hood release mechanism, **(Figure 10)**. Select the passenger side Inner Top Bracket and (1) “U” Backing Plate, **(Figure 11)**. Hold the “U” Bracket up to and around the back of the square tube, **(Figure 12)**. Bolt the Inner Top Bracket to the “U” Bracket with (2) 6mm x 25mm Hex Bolts, (2) 6mm Lock Washers and (2) 6mm Flat Washers, **(Figure 13)**. Leave loose at this time.
9. Repeat **Step 8** for the driver side Inner Top Bracket installation.
10. With assistance, hold the Grille Guard up in position on the outside of the Mounting Brackets. Bolt the Grille Guard to the Brackets with (4) 10mm x 30mm Button Head Bolts, (8) 10mm Flat Washers and (4) 10mm Nylon Lock Nuts, **(Figure 14)**. Do not fully tighten hardware at this time.
11. Select the passenger side Outer Top Bracket, **(Figures 11 & 16A)**. Line up the bent end of the Outer Bracket with the hole in the Grille Guard upright.
12. Insert the Outer Top Bracket through the grille and up to the Inner Top Bracket assembly, **(Figures 15 & 16A)**. Bolt the Outer Bracket to the top of the Inner Bracket with (2) 8mm x 25mm Hex Bolts, (4) 8mm Flat Washers and (2) 8mm Nylon Lock Nuts. **NOTE:** Slide the Inner Bracket assembly up or down the square tube to match up with the Outer Top Bracket and grille opening. Leave hardware loose at this time.
13. Line up the outer bent end of the Top Bracket with the hole in the Grille Guard upright, **(Figure 16A)**.
Outer Top Bracket Installation on Denali models: Due to the smaller openings in the Denali grille, it may be necessary to swap the passenger side Top Outer Bracket with the driver side to line up properly with the openings in the grille, **(Figures 16A & 16B)**.
14. Bolt the Top Bracket to the upright with (1) 8mm x 25mm Button Head Allen Bolt, (2) 8mm Flat Washers and (1) 8mm Nylon Lock Nut, **(Figures 16A & 16B)**. Do not tighten hardware at this time.
15. Repeat **Steps 11—14** for driver side outer Top Bracket installation.
16. Level and adjust the Grille Guard and fully tighten all hardware. **IMPORTANT:** Adjust the position of the Top Brackets up or down the square tube as required so that they cannot come in contact with the plastic grille, **(Figure 15)**. Swap passenger side with driver side if necessary to clear the plastic grille as described in **Step 13**.
17. Push the grille back into position and into the factory clips and secure with the factory hardware. Reinstall the top plastic cover using the factory hardware, **(Figure 9)**.
18. Do periodic inspections to the installation to make sure that all hardware is secure and tight.

To protect your investment, wax this product after installing. Regular waxing is recommended to add a protective layer over the finish. Do not use any type of polish or wax that may contain abrasives that could damage the finish.

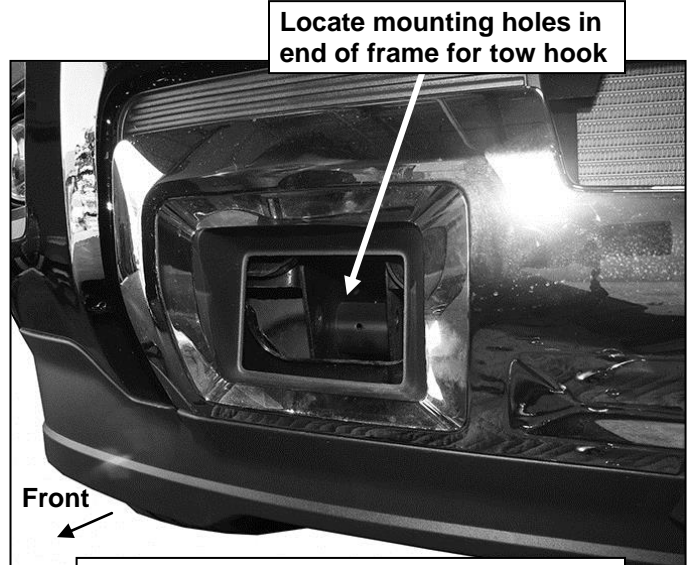
For stainless steel: Aluminum polish may be used to polish small scratches and scuffs on the finish. Mild soap may be used also to clean the Grille Guard.

For gloss black finishes: Mild soap may be used to clean the Grille Guard.

Passenger Side Installation Pictured



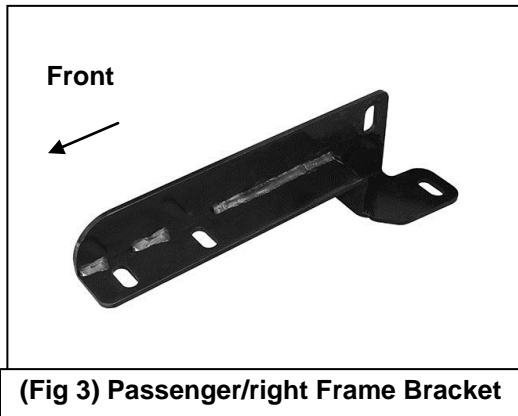
(Fig 1) Remove tow hooks



Locate mounting holes in end of frame for tow hook

Front

(Fig 2) Passenger side tow hook opening

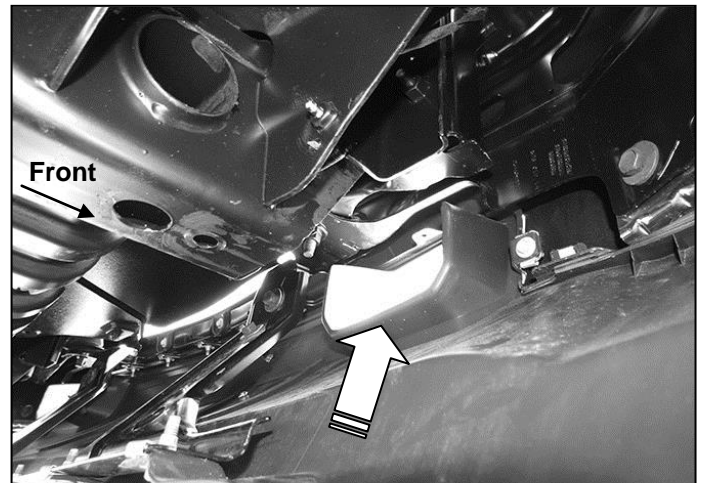


Front

(Fig 3) Passenger/right Frame Bracket



(Fig 4B) Line up holes in Bracket with tow hook mounting holes



Front

(Fig 4A) From behind bumper, insert passenger/right Frame Bracket up and out through opening (Silverado model used for instruction purposes)

Passenger Side Installation Pictured

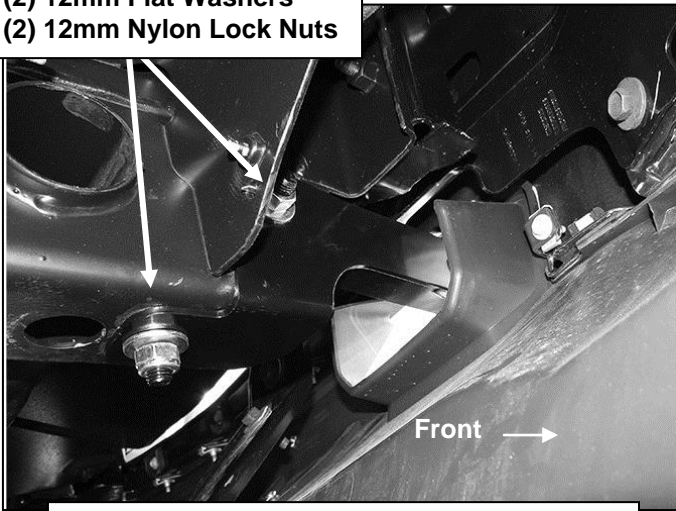


(Fig 5) 12mm Bolt Plate

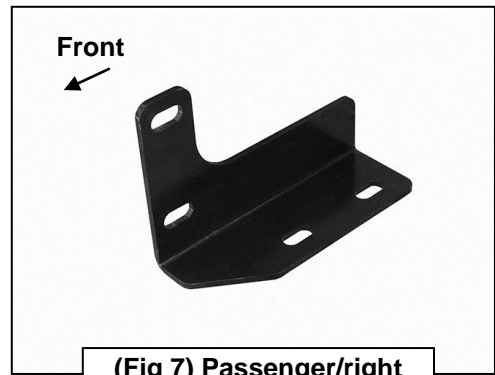


(Fig 6A) Passenger/right Frame Bracket

- (2) 12mm Bolt Plates
- (2) 12mm Flat Washers
- (2) 12mm Nylon Lock Nuts



(Fig 6B) Passenger/right Frame Bracket



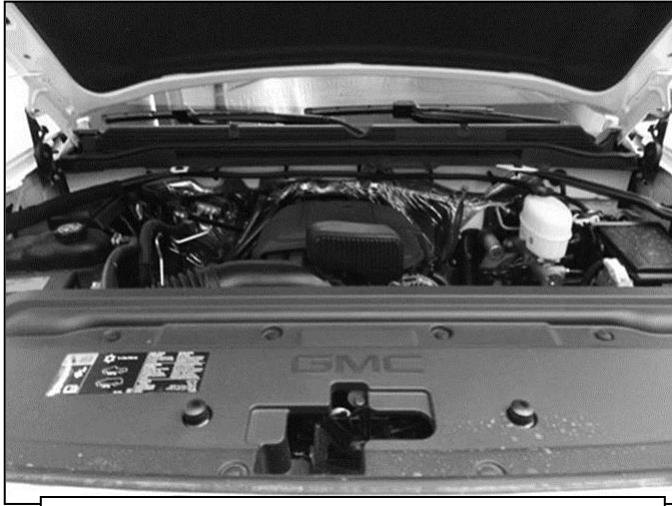
(Fig 7) Passenger/right Mounting Bracket



Fig 8

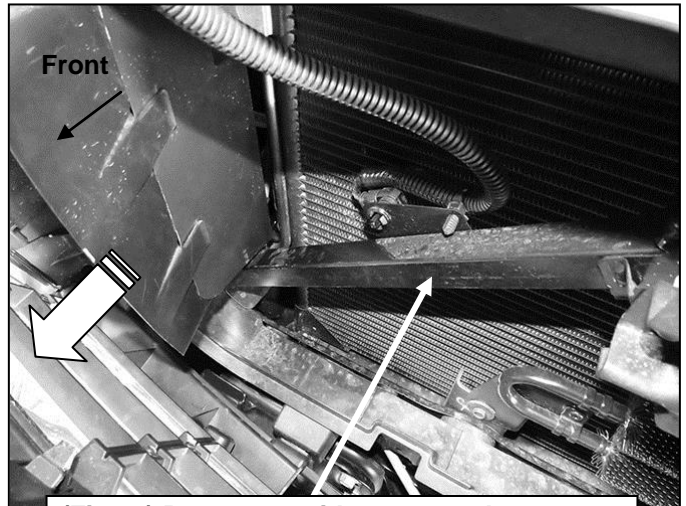
- (2) 10mm Button Head Bolts
- (4) 10mm Flat Washers
- (2) 10mm Nylon Lock Nuts

Passenger Side Installation Pictured

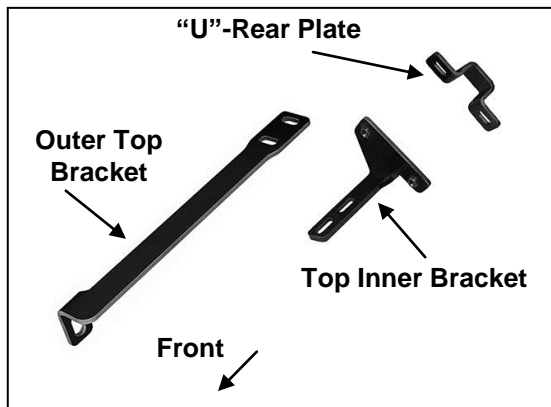


(Fig 9) Remove plastic cover on top of grille

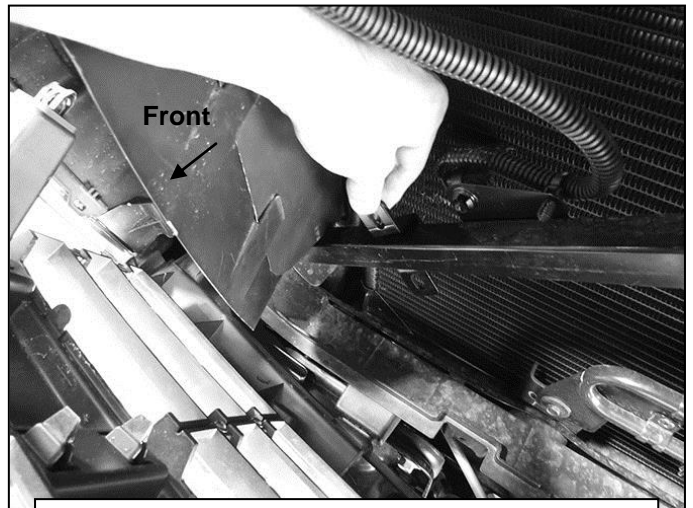
Remove hardware securing grille to vehicle. Carefully pull the grille straight out from the vehicle. Tilt the top of the grille forward only to access the area behind the grille



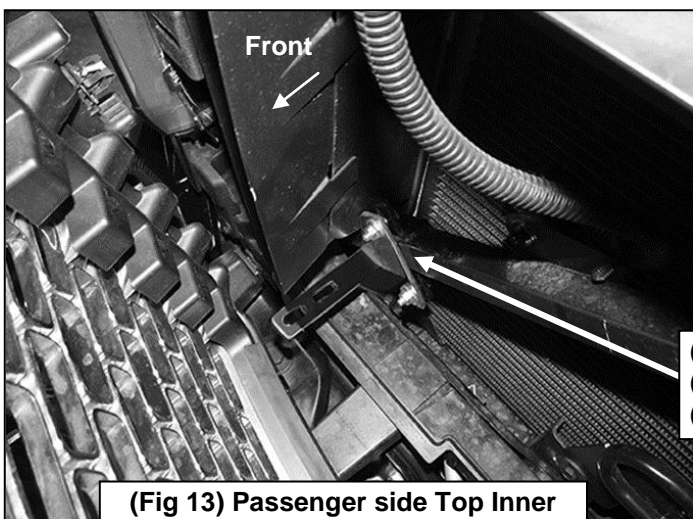
(Fig 10) Passenger side square tube support between grille and radiator pictured



(Fig 11) Passenger side top Brackets pictured



(Fig 12) Passenger side "U" Rear Plate pictured



(Fig 13) Passenger side Top Inner Bracket and "U" Rear Plate pictured

- (2) 6mm x 25mm Hex Bolts
- (2) 6mm Lock Washers
- (2) 6mm Flat Washers

Passenger Side Installation Pictured

- (2) 10mm Button Head Bolts
- (4) 10mm Flat Washers
- (2) 10mm Nylon Lock Nuts

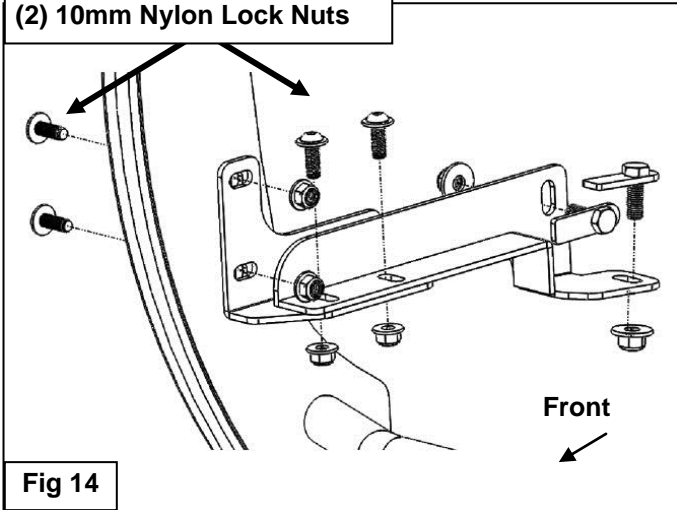
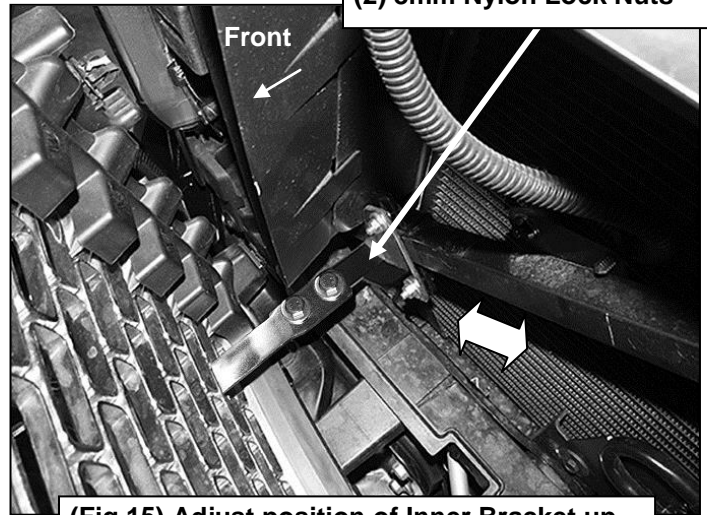


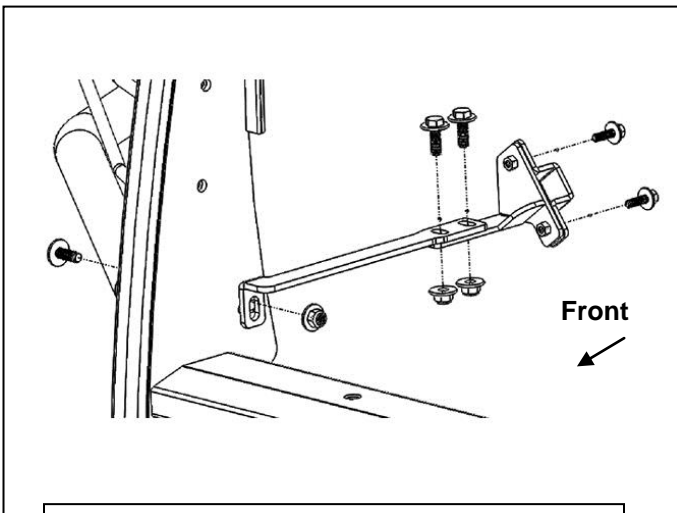
Fig 14

- (2) 8mm x 25mm Hex Bolts
- (4) 8mm Flat Washers
- (2) 8mm Nylon Lock Nuts

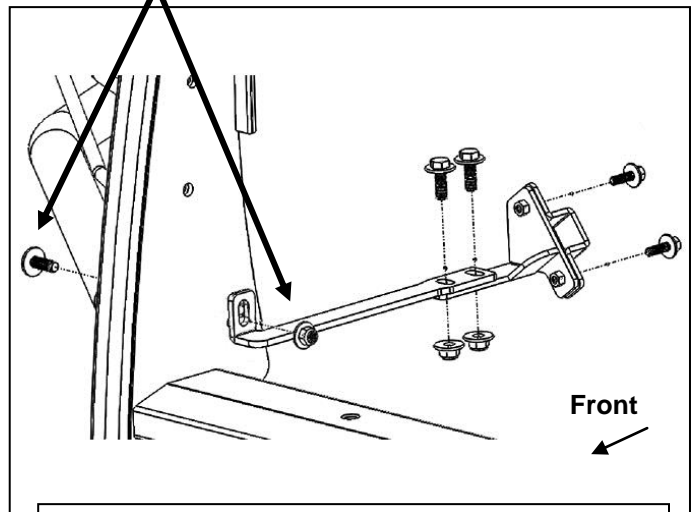


(Fig 15) Adjust position of Inner Bracket up or down square tube so that Outer Bracket cannot come in contact with plastic grille

- 8mm x 25mm Button Head Bolt
- (2) 8mm Flat Washers
- 8mm Nylon Lock Nut



(Fig 16A) Passenger side Top Outer Bracket pictured installed in "top position"



(Fig 16B) Passenger side Top Outer Bracket pictured installed in the "bottom position" to fit Denali models and others as required

Complete Installation

