



INSTALLATION INSTRUCTIONS
FRONT BAR PART #4063
2003-05 GMC SIERRA 2500 HD 2/4WD

PARTS LIST

| | |
|-----------------------------|-------------------------|
| (2) ½ FLAT WASHER | (2) ½ X 1 ¼ HEX BOLTS |
| (2) FRAME MOUNTING BRACKETS | (2) 5/16 X ¾" HEX BOLTS |
| (2) TOP SUPPORT BRACKETS | (2) 5/16 HEX BOLTS |
| (6) 7/16 X 1 ¼" HEX BOLTS | (4) 5/16 FLAT WASHERS |
| (6) 7/16 HEX NUTS | (2) ¼ X ¾" SCREWS |
| (12) 7/16 FLAT WASHERS | (2) ¼ X HEX NUTS |

INSTALLING FRAME BRACKETS

1. Remove factory tow hooks from front section of vehicle (if equipped). Once the tow hooks are removed, proceed to install the frame brackets. Use illustration 1 to identify the correct bracket for each side. The brackets fit inside of the frame as shown in illustration 2. The holes used to fasten the tow hooks to the frame will be used to fasten the brackets.
2. Insert the brackets inside the frame and align the brackets holes with the frame holes and fasten (tight) using the 7/16 x 1 ¼ hex bolts, plus ½ x 1 ¼ hex bolts, hex nuts & washers as shown in illustration 2.

INSTALLING THE FRONT BAR

1. Line up the 2 back holes on the lower portion of the bar with the 2 of the holes in the frame brackets (inner edge). Attach front bar using 7/16 x ¼" hex bolts, nut & washers. Hand tighten only.
2. Open hood and remove the rivets securing the top plastic trim panel (temporarily) from the vehicle to access the factory bumper bolts.
3. Proceed to install upper support brackets, place top support brackets to bumper existing hole using the 5/16 x ¾ hex bolts, nuts & washers, using the ¼ x ¾ screw, nuts and washers attach brackets to back center grill guard flange as shown in illustration 3.
4. Align front bar assembly with front of the vehicle and secure all fasteners.
5. Re-attach the plastic trim panel.

ILLUSTRATION

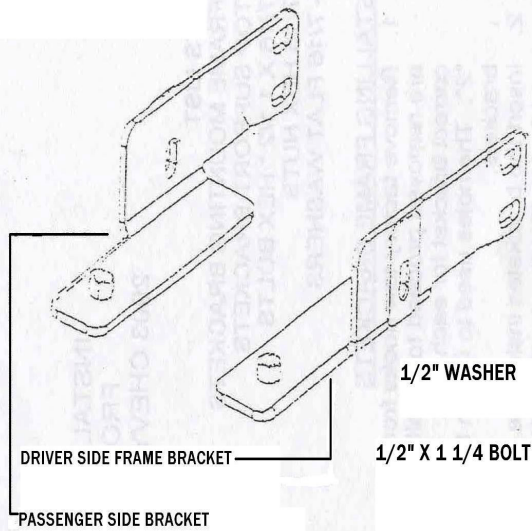


ILLUSTRATION 2

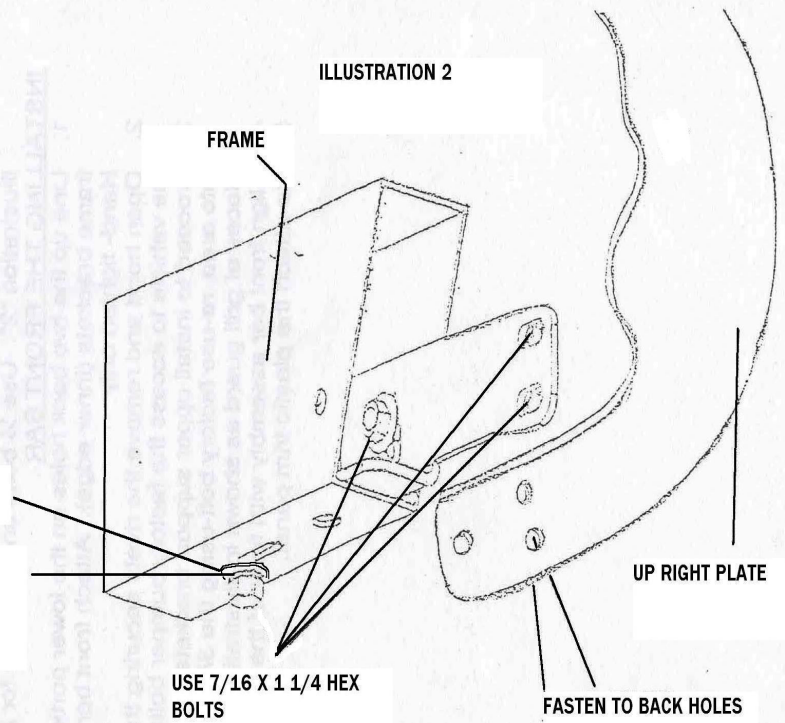
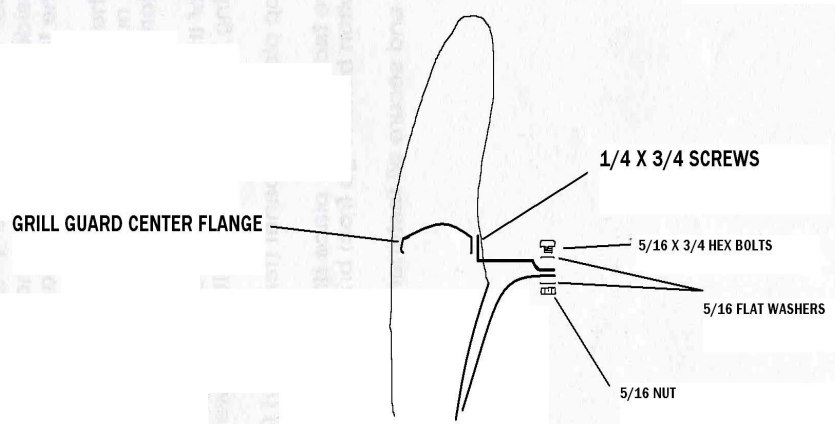


ILLUSTRATION 3



2003-05 GMC SIERRA 2500/3500 HD
2/4WD