

INSTALLATION MANUAL

2500555

Level of Difficulty

Easy

Installation difficulty levels are based on time and effort involved and may vary depending on the installer level of expertise, condition of the vehicle and proper tools and equipment.

Parts List

Qty	Description
1	Driver / left fender liner
1	Passenger / right fender liner
18	Hex bolt, M6
6	Clip nut, M6
1	Hex wrench, M4

Tools Required

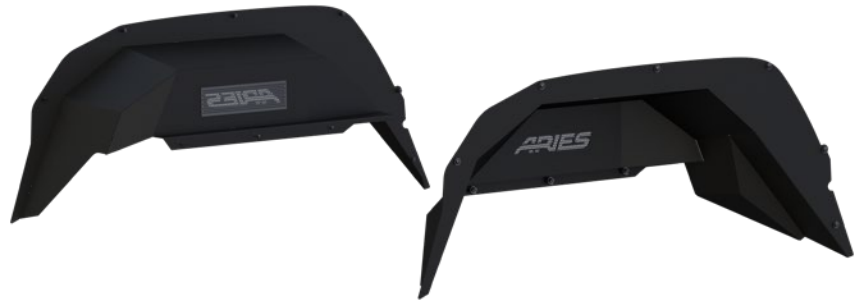
Pry tool	--
----------	----

Torque Specifications

M6 bolt	3 ft-lbs.
---------	-----------

Use above torque setting unless otherwise noted

Product Photo



NOTICE

Visit www.ariesautomotive.com for a full-color copy of this instruction manual, as well as helpful videos, guides and much more!

Before you begin installation, read all instructions thoroughly.

Proper tools will improve the quality of installation and reduce the time required.

Periodic inspection of your product should be performed to ensure all hardware and / or components remain secure.

To help prevent damage to the product or vehicle, refer to the specified torque specifications when securing hardware during the installation process.

Maintenance

Mild automotive detergent may be used to clean the product. Do not use dish detergent, abrasive cleaners, abrasive pads, wire brushes or other similar products that may damage the finish.

Product Registration and Warranty

ARIES stands behind our products with industry-leading warranties. To get copies of the product warranties, register your purchase or provide feedback, visit: warranty.curtgroup.com/surveys

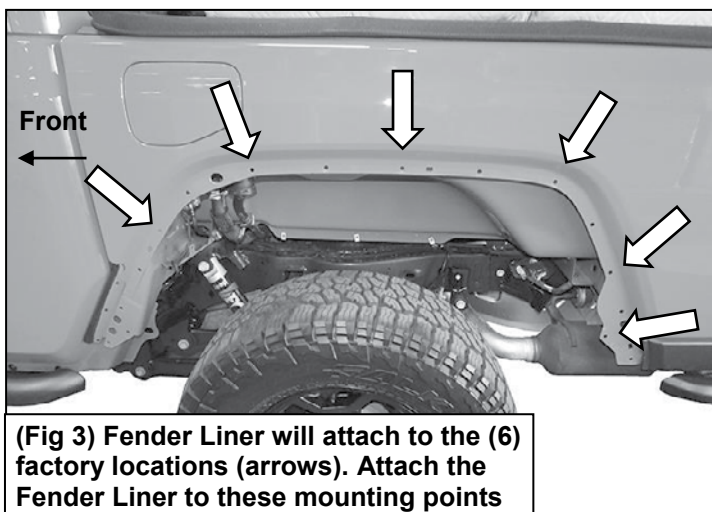
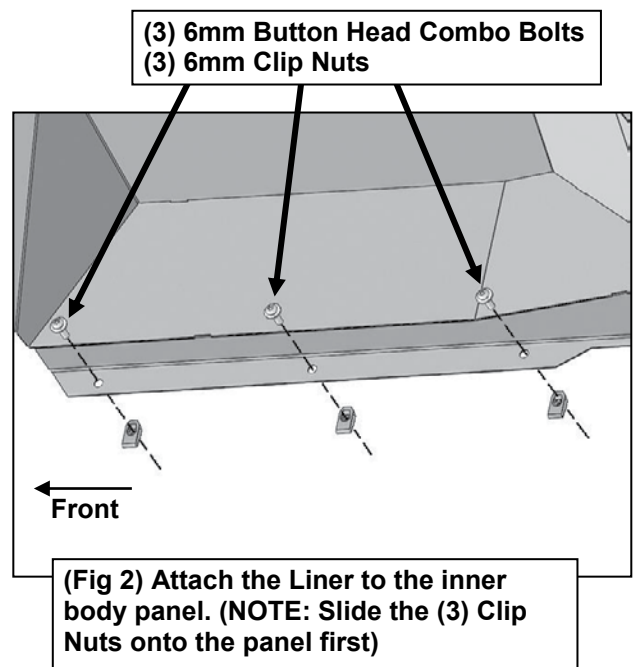
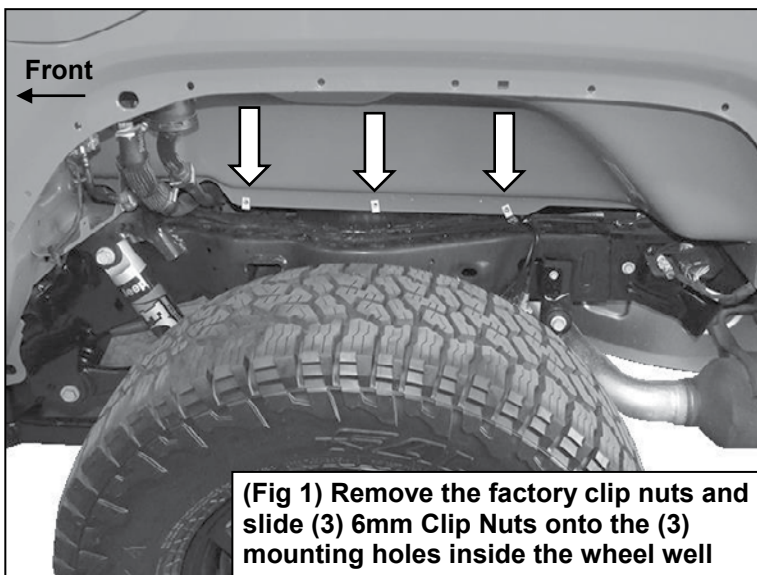
PROCEDURE:

REMOVE CONTENTS FROM BOX. VERIFY ALL PARTS ARE PRESENT. READ INSTRUCTIONS CAREFULLY. ASSISTANCE IS RECOMMENDED.

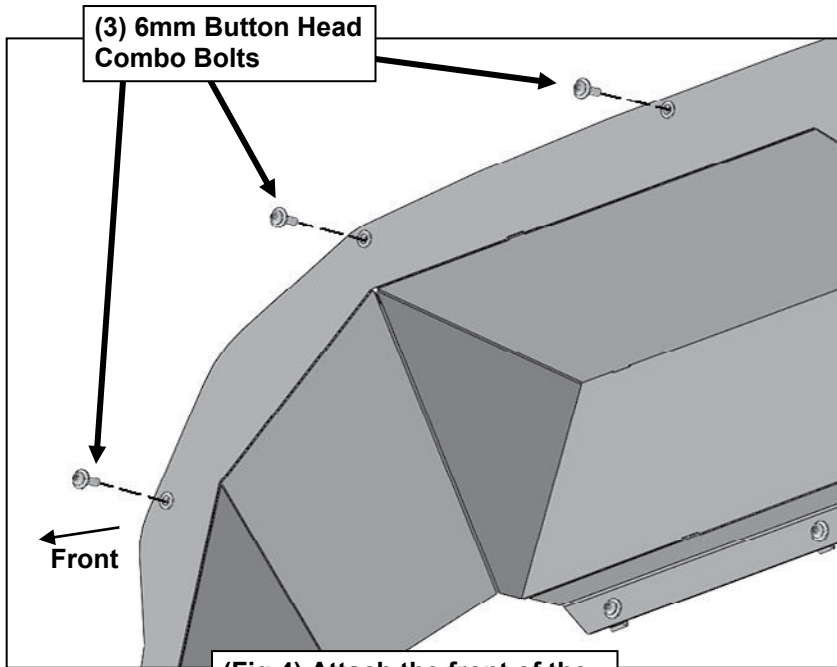
1. Start installation in the Driver/Left wheel well. Locate the tabs along the bottom of the wheel well above the frame, **(Figure 1)**. **NOTE:** The factory fender liner is attached to these tabs.
2. Select (3) 6mm Clip Nuts. Slide the Clip Nuts onto the (3) inner mounting tabs, **(Figure 1)**.
3. Select the Driver/Left Rear Fender Liner. Insert the Fender Liner into position up to the back of the inner body panel. **IMPORTANT:** If the vehicle has aftermarket fenders previously installed, it may be necessary to temporarily remove any hardware interfering with the Fender Liners. **NOTE:** It may be easier to install the Fender Liner with the vehicle raised up and/or rear tire removed.
4. Attach the bottom of the Fender Liner to the (3) 6mm Clip Nuts with (3) 6mm Button Head Combo Bolts, **(Figure 2)**. Do not tighten hardware.
5. Attach the Fender Liner to the (6) mounting locations with (6) 6mm Button Head Combo Bolts, **(Figures 3—5)**. Do not tighten hardware.
6. Align and adjust the Fender Liner. Fully tighten all hardware attaching the Fender Liner and fender.
7. Repeat **Steps 1—6** for Passenger/Right side Fender Liner installation.
8. Do periodic inspections to the installation to make sure that all hardware is secure and tight.

To protect your investment, Do not use any type of polish or wax that may contain abrasives that could damage the finish. Mild soap may be used to clean the Fender Liners.

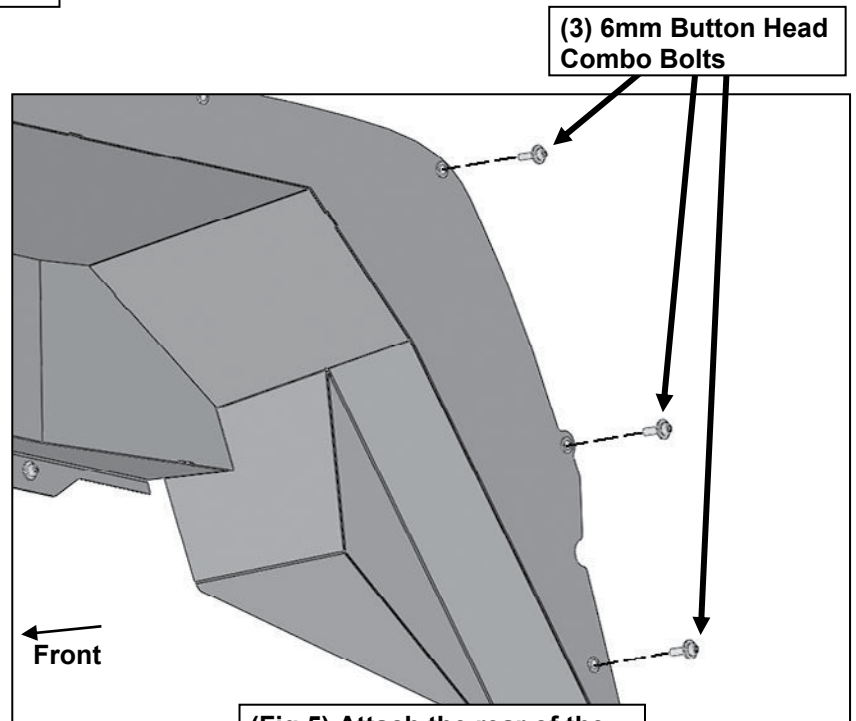
Driver/Left Side Installation Pictured



Driver/Left Side Installation Pictured



(Fig 4) Attach the front of the Fender Liner to the wheel well



(Fig 5) Attach the rear of the Fender Liner to the wheel well