

Step 9A - For vehicles without factory tow hooks

Insert a double bolt plate into the frame mount location.

Place two spacers on the outside of the frame mount location and place the driver side mounting bracket up to the spacers.

Secure the bracket using two 12mm flat washers and two 12mm nylock nuts. Repeat this process for the passenger side.

Step 9B - For vehicles without factory tow hooks

Cut openings in the front bumper to allow the mounting bracket to fit through.

Reinstall the front bumper cover, fender liner, plastic sill panel and skid plate.

Step 10

Secure the top support brackets to the grille guard using an 8mm hex bolt and 8mm flat washer on the outside of the grille guard and an 8mm flat washer and 8mm nylock nut on the inside, for both the driver and passenger sides.

To secure the lower frame brackets to the grille guard, use a 10mm hex bolt and 10mm flat washer on the outside of the grille guard and a 10mm flat washer and 10mm nylock nut on the inside for both driver and passenger-side mounting points.



Step 11

Once the grille guard is aligned, tighten all hardware.

Congratulations on the installation of your new ARIES Pro Series grille guard.

With the grille guard installed, periodic inspections should be performed to ensure all mounting hardware remains tight.

To protect your investment, see the [Notes and Maintenance](#) section on the first page of this instruction manual.

Parts List

1	LED light bar, 10"
1	Mounting bracket, left
1	Mounting bracket, right
1	Wiring harness
2	Security screw, M6 - 1.0 x 25mm
2	Rubber spacer, M6
2	Flat washer, M6
2	Hex head cap screw, M8 - 1.25 x 18mm
2	Flat washer, M8
2	Nylock nut, M8 -1.25mm
1	Security screw L-wrench
1	15-amp fuse, pre-installed

Step 1

Mount the LED light in the desired location with a rubber spacer between the mounting surface and each bracket.

Note: If this light bar is being used with a 24V system, the relay will need to be replaced with a 24V unit.

Disconnect the supplied switch from the wiring harness and install in the desired location.

Step 2

Once the LED light bar and switch are installed, route the wiring harness to the light. Insert the male plug on the wiring harness into the female socket on the LED light. Reconnect the blue, red and black spade connectors to the switch (see the wiring diagram).

Step 3

Connect the red fused wire with the ring terminal to the positive (+) battery post. Connect the black wire ring terminal to the negative (-) battery post or other suitable vehicle grounding point.

Step 4

Mount the provided relay to the vehicle and secure all wires with zip ties away from moving parts to avoid damage. Test the light to ensure proper function.

Level of Difficulty

Easy

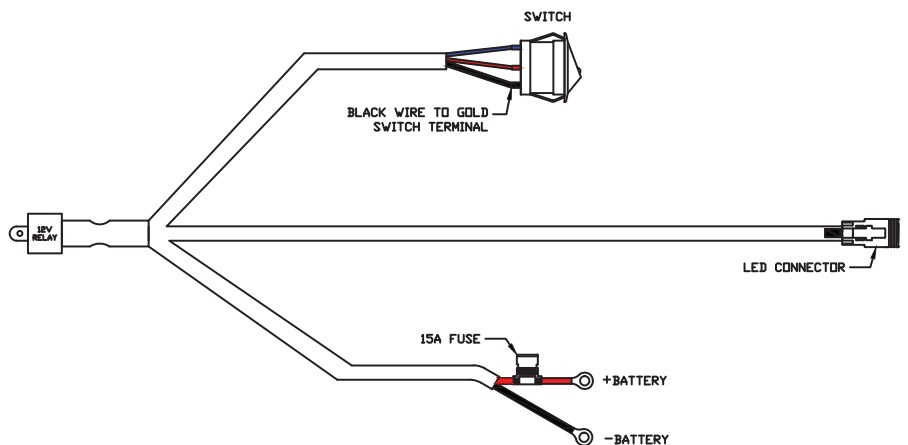


Scan for helpful install tips

Product Image



Wiring Diagram



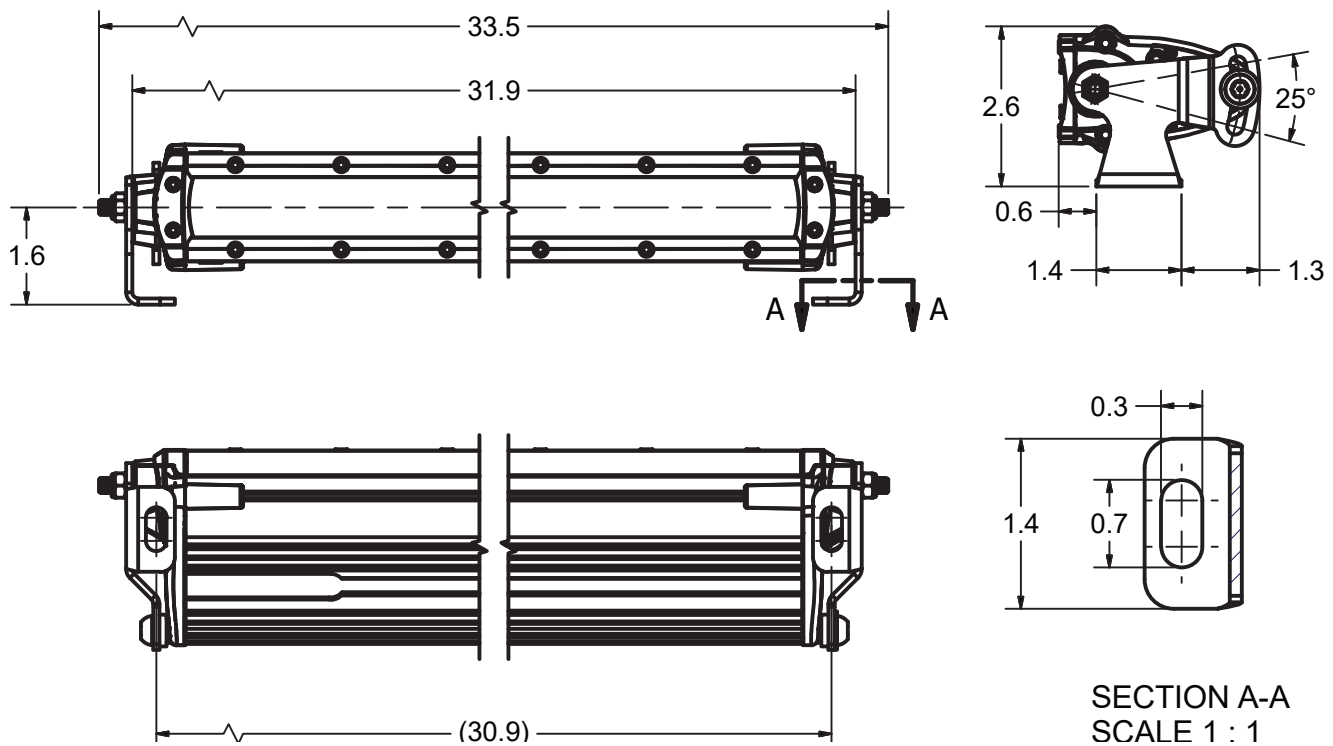
Notes and Maintenance

Before you begin installation, read all instructions thoroughly.

Periodic inspection of all wires and connections should be performed to ensure there is no visible damage or loose connections.

WARNING: Improper electrical installation may damage electronic components resulting in personal injury, property or equipment damage. Damaged caused by incorrect installation is not covered by warranty. Installation should only be performed by qualified personnel with a solid understanding of electrical systems.

Basic Dimensions



Mounting Illustration

