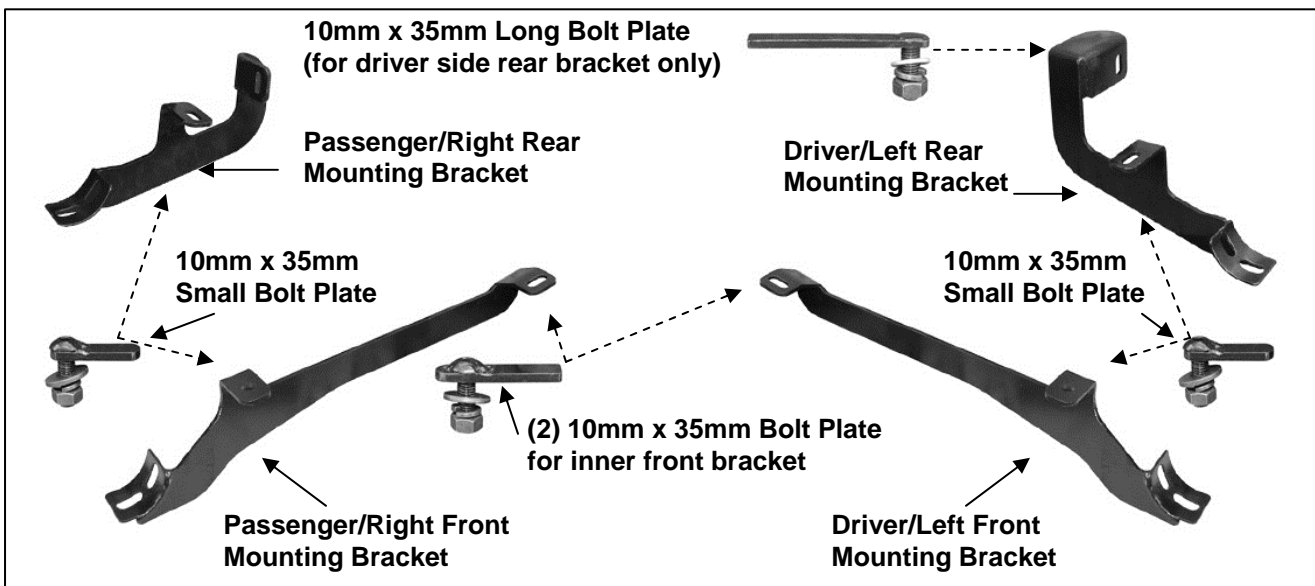


PARTS LIST:

Qty	Description	Qty	Description
1	Driver/Left Sidebar	6	10mm x 24mm x 2.2mm Flat Washer
1	Passenger/Right Sidebar	1	10mm x 20mm x 2.0mm Flat Washer
1	Driver/Left Front Mounting Bracket	7	10-1.50mm Hex Nut
1	Passenger/Right Front Mounting Bracket	8	8-1.25mm x 25mm Hex Bolt
1	Driver/Left Rear Bracket	8	8mm Lock Washer
1	Passenger/Right Rear Bracket	8	8mm x 24mm x 2mm Flat Washer
4	10-1.50mm x 35mm Small Button Head Bolt Plate (front and rear-outer)	1	6-1.0mm x 25mm Hex Bolt
1	10-1.50mm x 35mm Long Bolt Plate (use for driver rear bracket only)	1	6mm Lock Washer
2	10-1.50mm x 35mm Button Head Bolt Plate (use for inner front brackets only)	1	6mm x 22mm OD x 2mm Flat Washer
7	10mm Lock Washer		



PROCEDURE:

REMOVE CONTENTS FROM BOX. VERIFY ALL PARTS ARE PRESENT. READ INSTRUCTIONS CAREFULLY BEFORE STARTING INSTALLATION.

- Starting at the front, driver side of the vehicle, locate and remove the rubber plugs in the bottom of the inner frame channel and in bottom of the outer body panel next to the pinch weld, **(Figures 1B & 2B)**.
- Insert (1) 10mm x 35mm Small Button Head Bolt Plate into the outer hole in the bottom of the body panel, **(Figures 1A & 1B)**. Insert (1) 10mm x 35mm Bolt Plate into the inner hole in the frame channel, **(Figures 2A & 2B)**. Select the driver side Front Bracket. Hang the Bracket from the (2) Bolt Plates with the supplied (2) 10mm x 24mm x 2mm STD Flat Washers, (2) 10mm Lock Washers and (2) 10mm Hex Nuts, **(Figures 3 & 4)**. Snug but do not tighten hardware at this time.
- Move toward the rear of the vehicle. Locate and remove the round rubber plug on the inner body panel. Next, remove the plug in the bottom of the body panel as described in **Step 1, (Figures 5B & 6)**. **NOTE:** Side of inner body panel may be covered with undercoating. Scrape undercoating off of body panel before installing the rear Bracket.
- Insert (1) 10mm x 35mm Small Button Head Bolt Plate into the hole in the bottom of the body panel as described in **Step 2, (Figures 6A & 6B)**. Insert the 10mm x 35mm Long Bolt Plate into the small round hole in the side of the body panel, **(Figures 5A & 5B)**. **IMPORTANT:** Do not drop the Long Bolt Plate into the body panel!

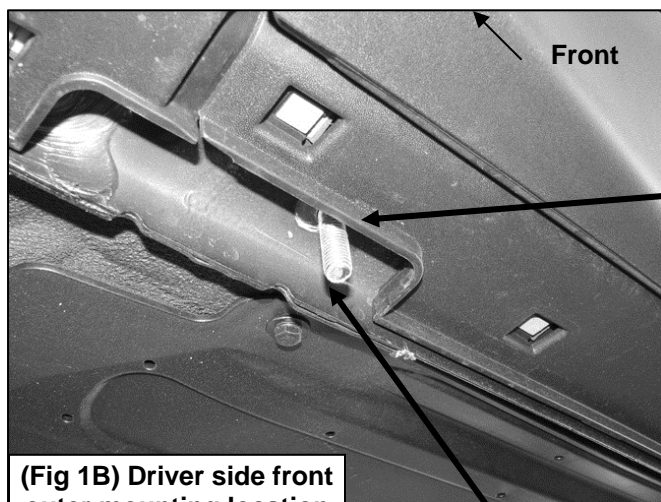
5. Select the driver side Rear Bracket. Slide the Bracket over the Bolt Plate in the bottom first, **(Figures 6A & 6B)** then up and over the Long Bolt Plate in the side of the body panel, **(Figure 5B)**. Bolt the Bracket to the (2) Bolt Plates with (2) 10mm x 24mm x 2mm Flat Washers, (2) 10mm Lock Washers and (2) 10mm Hex Nuts. Snug but do not tighten hardware at this time.
6. Carefully unwrap the driver Sidebar and place it on the Brackets. Attach the Sidebar to the Mounting Brackets with (4) 8mm x 25mm Hex Bolts, (4) 8mm Lock Washers and (4) 8mm Flat Washers, **(Figure 9)**. Snug but do not tighten hardware at this time.
7. Level and adjust the Sidebar properly and tighten all hardware.
8. Repeat **Steps 1 & 2, (Figures 1 – 4)**, for passenger side front Bracket installation
9. Move to passenger side rear location, **(Figure 7B)**. Locate and remove the round rubber plug in the bottom of the body panel as described in **Steps 1 & 3, (Figure 7B)**. Locate the 6mm threaded hole in the side of the inner body panel. **NOTE:** Threaded hole may be covered with sealing tape and/or undercoating. Also note that the passenger side rear Bracket will mount to a different location from the driver side rear Bracket. Scrape undercoating off of the body panel before installing the rear Bracket.
10. Insert (1) 10mm x 35mm Small Button Head Bolt Plate into the hole in the bottom of the body panel as described in **Step 4, (Figures 7A & 7B)**. Bolt the top mount on the Bracket to the threaded hole in the side of the body panel with (1) 6mm x 25mm Hex Bolt, (1) 6mm Lock Washer and (1) 6mm Flat Washer, **(Figure 8)**. Snug but do not tighten hardware at this time.
11. Repeat **Steps 6 & 7** for passenger Sidebar installation.
12. Do periodic inspections of the installation to make sure that all hardware is secure and tight.

To protect your investment, wax this product after installing. Regular waxing is recommended to add a protective layer over the finish. Do not use any type of polish or wax that may contain abrasives that could damage the finish.

For stainless steel: Aluminum polish may be used to polish small scratches and scuffs on the finish. Mild soap may be used also to clean the Sidebar.

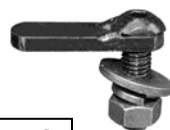
For gloss black finishes: Mild soap may be used to clean the Sidebar.

Driver Side Installation Pictured



10mm Small Bolt Plate (1 of 4pcs)

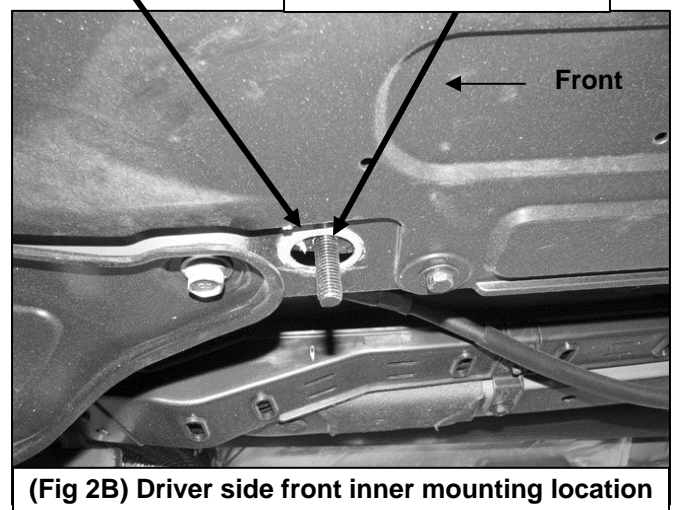
Fig 1A



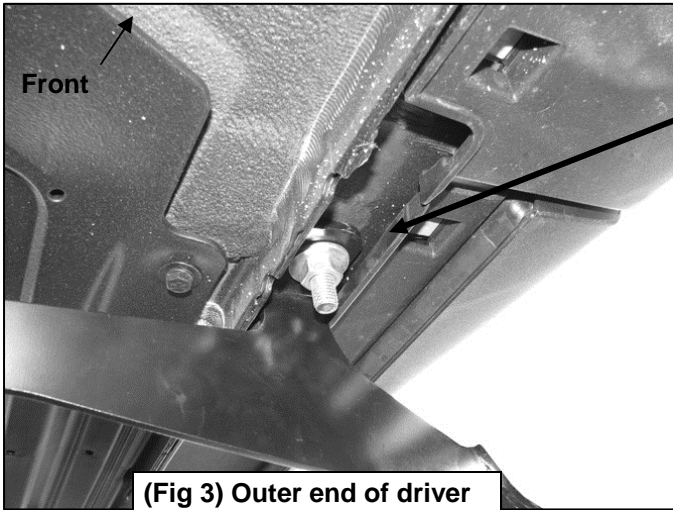
10mm Bolt Plate (1 of 2pcs)

Remove rubber plugs from factory holes

Fig 2A

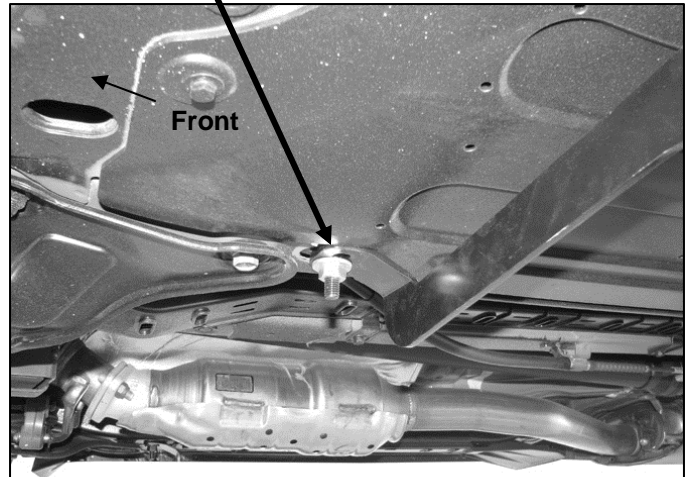


Driver Side Installation Pictured



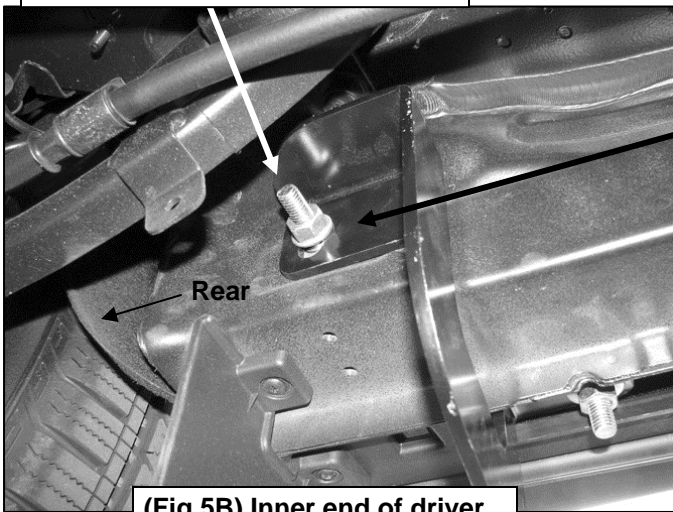
(Fig 3) Outer end of driver side front bracket pictured

10mm x 24mm Flat Washer
10mm Lock Washer
10mm Hex Nut

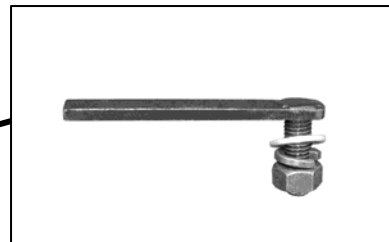


(Fig 4) Inner end of driver side front bracket pictured

10mm Long Bolt Plate
10mm x 20mm Small Flat Washer
10mm Lock Washer
10mm Hex Nut



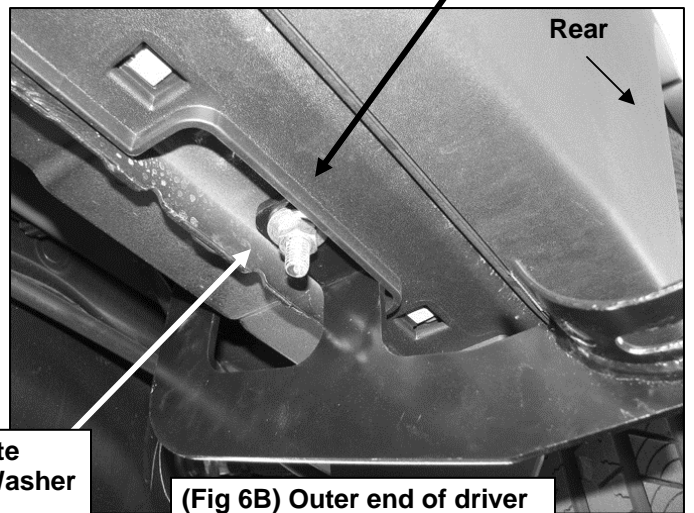
(Fig 5B) Inner end of driver side rear bracket pictured



(Fig 5A) 10mm Long Bolt Plate



10mm Small Bolt Plate
10mm x 24mm Flat Washer
10mm Lock Washer
10mm Hex Nut



(Fig 6B) Outer end of driver side rear bracket pictured

Driver Side Installation Pictured



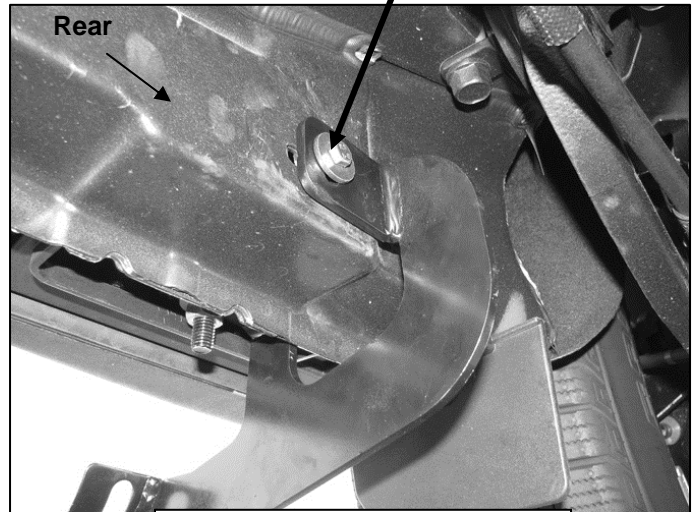
10mm Small Bolt Plate
10mm x 24mm Flat Washer
10mm Lock Washer
10mm Hex Nut

(Fig 7B) Outer end of passenger side rear bracket pictured



(Fig 7A) 10mm Small Bolt Plate (1 of 4pcs)

6mm x 25mm Hex Bolt
6mm Lock Washer
6mm Flat Washer

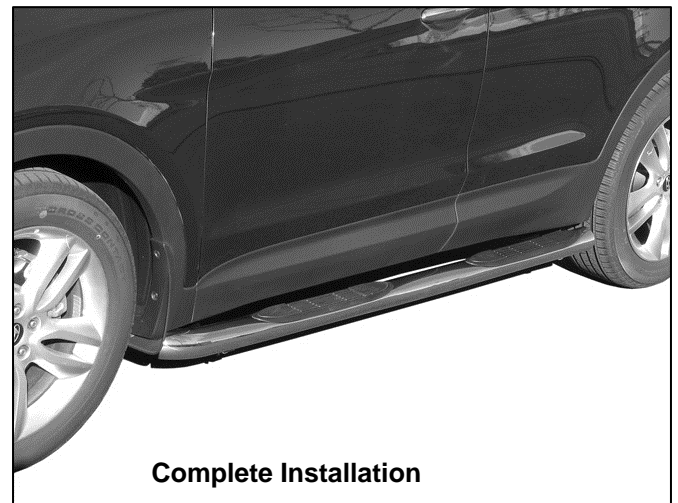


(Fig 8) Outer end of passenger side rear bracket pictured



Fig 9

(2) 8mm x 25mm Hex Bolts
(2) 8mm Lock Washers
(2) 8mm Flat Washers



Complete Installation