

**Parts List**

1	Driver / left side bar
1	Passenger / right side bar
2	Mounting bracket, front (short)
2	Mounting bracket, rear (long)
4	Support bracket
4	T-bolt plate, 10mm x 35mm
12	Flat washer, 10mm x 25mm x 2mm
8	Lock washer, 10mm
8	Hex nut, 10mm
4	Hex bolt, 12mm x 120mm
4	Hex bolt, 12mm x 50mm
8	Flat washer, 12mm x 30mm x 3mm
8	Lock washer, 12mm
8	Flat washer, 14mm x 44mm x 3mm
4	Hex bolt, 10mm x 35mm
4	Plastic retainer

**Level of Difficulty**

Easy

Scan  
for helpful  
install tips**Product Image****Notes and Maintenance**

Before you begin installation, read all instructions thoroughly.

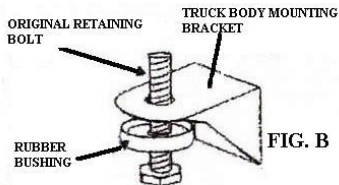
Proper tools will improve the quality of installation and reduce the time required.

To protect the product, wax after installing. Regular waxing is recommended to add a protective layer over the finish. Do not use any type of polish or wax that may contain abrasives that could damage the finish.

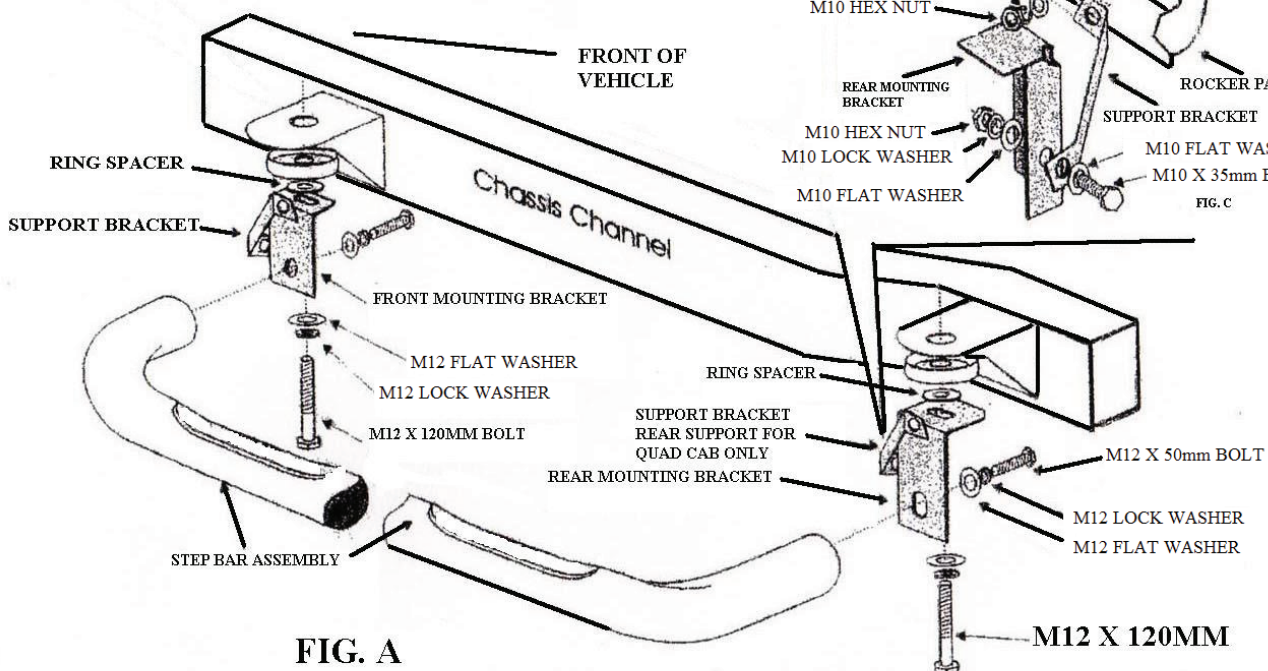
For stainless steel and aluminum, polish may be used to clear small scratches and scuffs on the finish. Mild soap may be used also to clean the product.

## INSTALLING NERF BARS

- (1) UNDERNEATH THE ROCKER PANEL, LOCATE ALL THE L SHAPED TRUCK BODY BRACKETS NEEDED FOR THE INSTALLATION (SEE FIG. A). REMOVE THE ORIGINAL RETAINING BOLTS FROM THE BRACKETS, PUT ASIDE THE BOLTS AND KEEP THE RUBBER BUSHINGS (WITH THE WASHERS IF APPLICABLE) FOR A RE-INSTALLATION LATER.
- (2) IDENTIFY THE FRONT MOUNTING BRACKETS (SHORT ONE) AND THE REAR MOUNTING BRACKET (LONG ONE). USE THE M12 X 120mm BOLTS TO ATTACH THE RUBBER BUSHINGS AND THE MOUNTING BRACKETS TO THE L SHAPED TRUCK BODY BRACKETS (HAVE THE SMALL WALL OF THE MOUNTING BRACKETS FACE UPWARD), APPLY THE 14mm X 44mm X 3mm FLAT WASHERS BETWEEN THE BRUSHINGS AND MOUNTING BRACKETS (SEE FIG. A). HAND TIGHTEN THE BOLTS NOW. REPEAT ON OTHER SIDE.
- (3) ON THE ROCKER PANEL ACROSS FROM THE MOUNTING BRACKET. LOCATE THE OPEN SLAT, INSERT THE T-BOLT PLATE AND ROTATE 90 DEGREES UNTIL THE PLATE IS VERTICAL, ATTACH THE PLASTIC RETAINER WASHER (SEE FIG.C). ATTACH THE SUPPORT BRACKET TO THE MOUNTING BRACKET AND TO THE BOLT PLATE USING THE SUPPLIES M10 HARDWARE (SEE FIG.C). HAND TIGHTEN THE BOLTS FOR NOW. REPEAT FOR ALL OTHER SUPPORT BRACKETS. REAR SUPPORT BRACKETS ARE FOR QUAD CAB ONLY. NOTE: THE SUPPORT BRACKETS WILL CONFORM INTO POSITION ONCE THE FINAL TIGHTENING IS APPLIED.
- (4) IDENTIFY THE STEP BAR FOR THE DRIVER SIDE AND FOR THE PASSENGER SIDE. USE THE M12 X 50mm BOLT AND M12 HARDWARE TO MOUNT THE TUBE ONTO THE MOUNTING BRACKETS (SEE FIG. A). LEVEL AND ALIGN THE BAR WITH THE FRONT EDGE OF THE ROCKER PANEL, THEN FIRMLY TIGHTEN ALL BOLTS AND NUTS. APPLY A PROPER TORQUE OF (600 FT-LBS FOR M12 X 120mm AND M12 X 50mm BOLTS. 30FT-LB FOR M10 X 35mm BOLT) TO EACH BOLT TO INSURE PROPER INSTALLATION. REPEAT ON OTHER SIDE.



### DRIVER SIDE SHOWN



### SUPPORT BRACKET INSTALL

