

### Parts List

1	Driver / left, side bar (#1)
1	Passenger / right, side bar (#1)
1	Mounting bracket, driver / left, front (#2)
1	Mounting bracket, passenger / right, front (#2)
2	Mounting bracket, rear (#4)
2	Support bracket, front (#3)
2	Support bracket, rear (#5)
2	Hex bolt, 1/2" x 3 1/2" (#14)
2	Hex bolt, 1/2" x 5" (#15)
2	Hex nut, 1/2" (#17)
4	Hex bolt, M10 x 30mm (#10)
8	Flat washer, M10 (#12)
4	Lock washer, M10 (#13)
4	Hex nut, M10 (#11)
8	Hex bolt, M12 - 1.75 x 50mm (#8)
14	Flat washer, M12 (#7)
10	Lock washer, M12 (#9)
4	Hex nut, M12 (#16)
2	Plastic spacer washer, M19 (#6)

### Torque Specifications

	METRIC	SAE
M6 bolt	3 ft.-lbs.	
M8 bolt	7 ft.-lbs.	
M10 bolt	16 ft.-lbs.	
M12 bolt	28 ft.-lbs.	
1/4" bolt		3 ft.-lbs.
5/16" bolt		7 ft.-lbs.
3/8" bolt		16 ft.-lbs.
7/16" bolt		20 ft.-lbs.
1/2" bolt		28 ft.-lbs.

### Level of Difficulty

Easy



Scan for helpful install tips

### Product Image



### Notes and Maintenance

Before you begin installation, read all instructions thoroughly.

Proper tools will improve the quality of installation and reduce the time required.

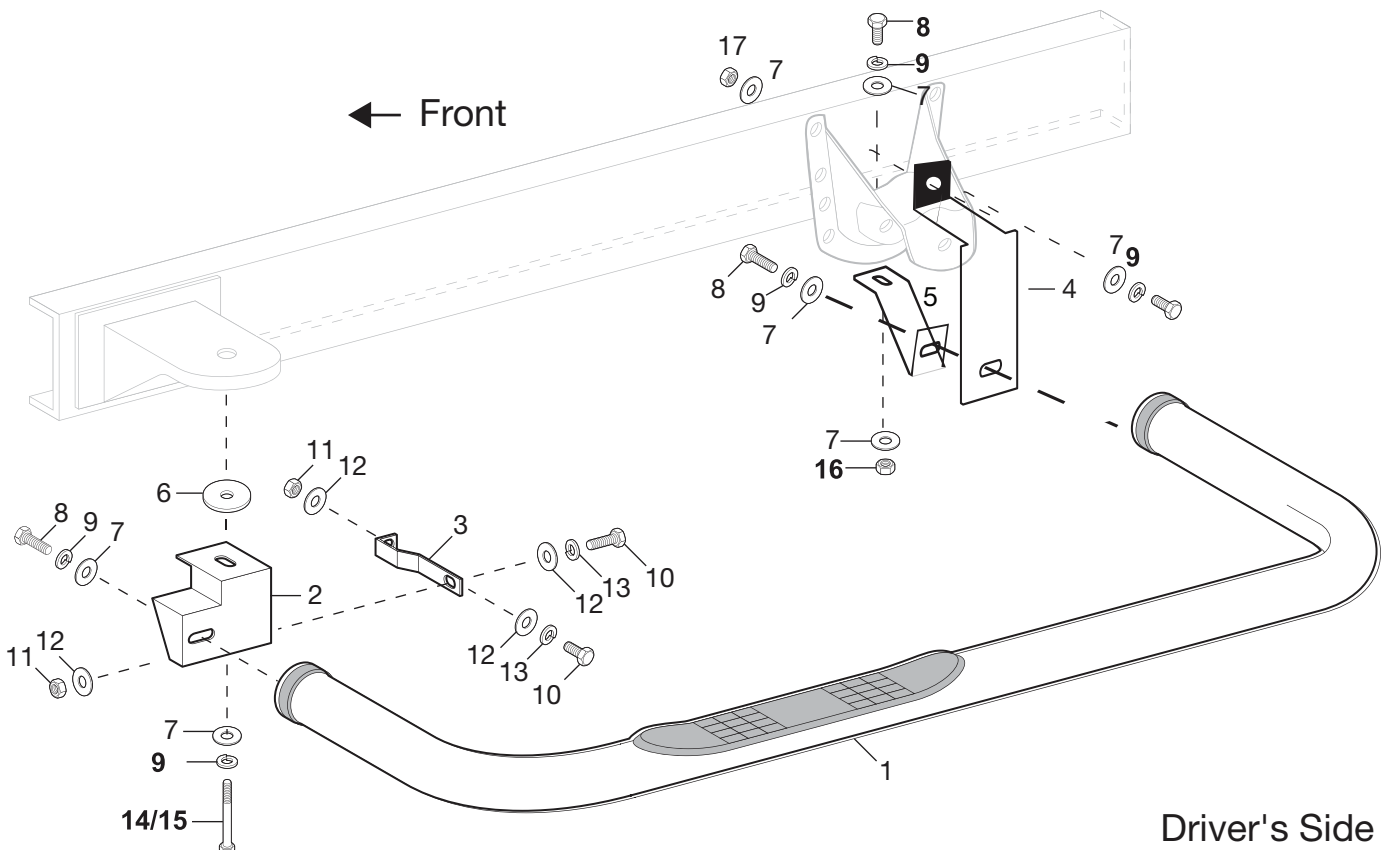
To protect the product, wax after installing. Regular waxing is recommended to add a protective layer over the finish. Do not use any type of polish or wax that may contain abrasives that could damage the finish.

For gloss black finishes, mild soap may be used to clean the product.

Refer to the table to the left when securing hardware during the installation process to help prevent damage to the product or vehicle.

## Instructions:

1. Remove the front cab mount bolt. Depending on its condition, you may be able to reuse your existing bolt. 1973-80 models will use the 1/2 x 5" bolts, while 1981-87 models will use the 1/2 x 3-1/2" bolts. Install the front step bar mounting bracket to the front cab mount bolt. Install flat washer and hand tighten.
2. Remove the nut from the rear body hold down bolt. The nut is positioned on the lower edge of the frame rail directly behind the front spring hanger on the rear suspension. Insert the rear step bar mounting bracket through the gap between the front spring hanger and the frame. Position the bracket so that the rear body hold down bolt goes through the hole in the mounting bracket. Install 12mm flat washer, M12 lock washer, 1/2" hex nut and hand tighten.
3. Install step bar to front and rear brackets using the M12-1.75 x 50mm bolts, lock washers and flat washers. With the bar bolted to front and rear brackets, check for proper clearance between step bar and rocker panel. If additional clearance is necessary, use the plastic spacer washers, as required, between the flat washer on the bottom side of the cab bushing and the front step bar mounting brackets.
4. With proper clearance established, the front support bracket can be installed. Position the front support bracket inside of the step bar mounting bracket. The 90° end of the support bracket installs to the frame rail with the closed end facing towards the front of the vehicle. When positioned correctly the support bracket mounting hole lines up with an existing slotted hole in vehicle frame. Install support bracket to the step bar mounting bracket and to the frame using the M10 x 30mm hex head bolts and corresponding lock washers, flat washers and hex nuts.
5. Installation of Rear Bracket will require drilling (1) 12mm mounting hole per side in the leaf spring hanger back plate. Mount Rear Bracket to side bar then temporarily support bar to back plate, make sure side bar is level to vehicle then mark hole to drill. Move Rear Bracket away from back plate to drill hole, once hole is drilled then mount bracket and side bar by using the M12 hex bolt. Repeat process on other side.
6. Installation of the rear support bracket will require drilling one 12mm mounting hole per side in the lower inside edge of the front spring hanger. Remove the rear step bar mounting bolt and position rear support bracket so that it spans from the step bar mounting hole to the lower edge of the front spring hanger. Install step bar mounting bolt and hand tighten. Mark location on spring hanger for mounting hole to be drilled. Drill hole and then use the M12 hex head bolt, lock washer, flat washer and hex nut to secure the rear bracket to the spring hanger.
7. Check alignment of step bar. Make any final adjustments and then tighten all bolts.
8. Repeat procedure for the opposite side.
9. Check fasteners periodically. Re-tighten as necessary.



Driver's Side