

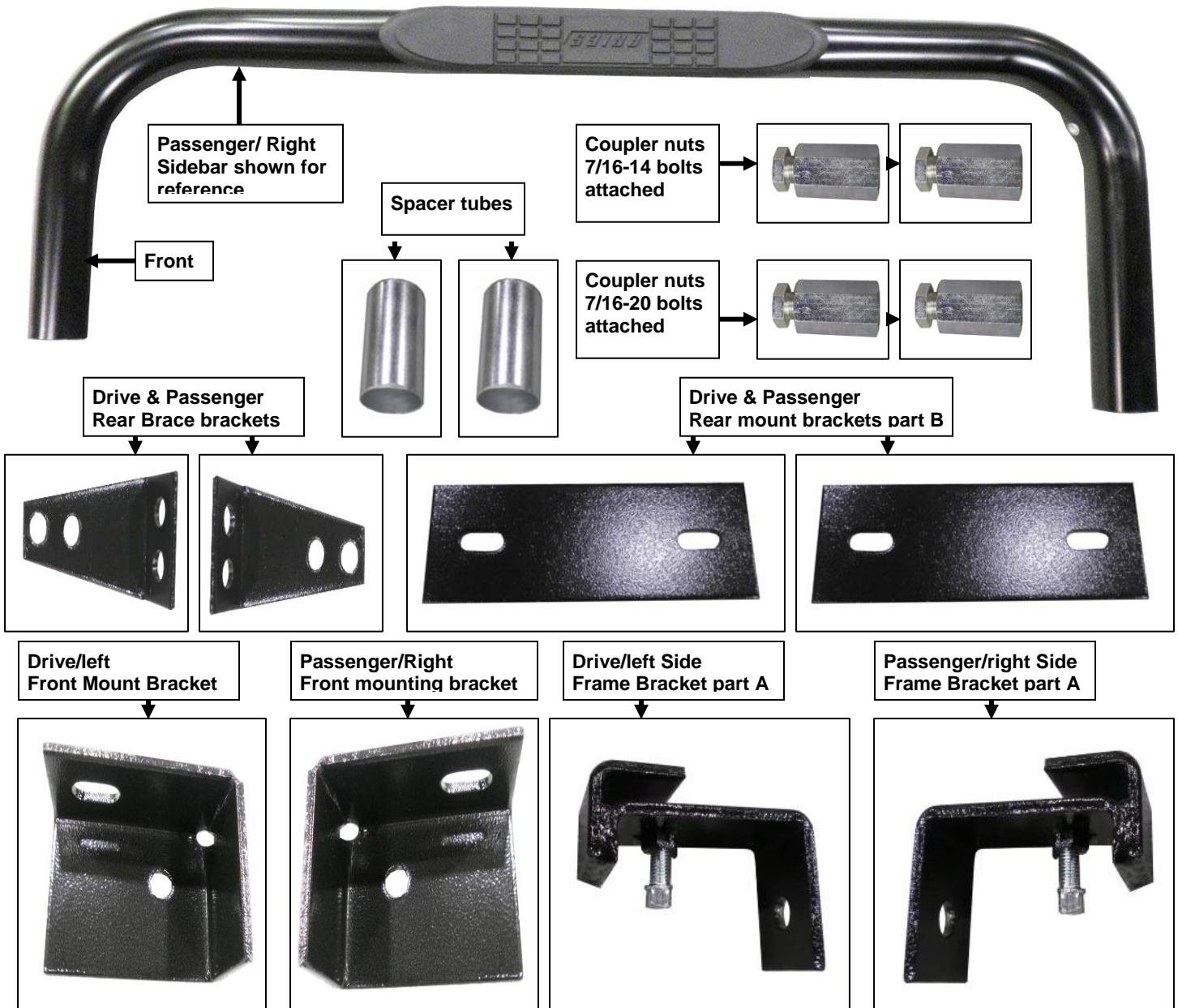
INSTALLATION INSTRUCTIONS

1980-96 FORD BRONCO / 1980-96 F-SERIES REG CAB

PART # 203001 / 203001-2

PARTS LIST:

Qty	Description	Qty	Description
1	Driver/Left Sidebar long end of tube faces rear	2	7/16"-20 x 1" Hex head bolts
1	Passenger/Right Sidebar long end of tube faces rear	4	7/16" Flat washers
1	Driver/Left front mounting bracket	4	7/16" Lock washers
1	Passenger/right front mounting bracket	4	10mm x 25mm Hex bolt
1	Driver/Left rear brace bracket	2	10mm Flat washers
1	Passenger/right rear brace bracket	2	10mm Lock washers
1	Driver/Left rear frame brackets part A & B	4	12mm x 40mm Hex bolt
1	Passenger/Right rear frame brackets part A & B	2	12mm x 50mm Hex bolt
2	Spacer tubes	6	12mm Flat washers
2	7/16-14 x 1 3/4" Coupler Nuts (used for front body mount)	6	12mm Lock washers
2	7/16-20 x 1 3/4" Coupler Nuts (used for seat belt bolt)	2	12mm Hex nut
2	7/16"-14 x 1" Hex head bolts		



PROCEDURE:

- 1. REMOVE CONTENTS FROM BOX. VERIFY ALL PARTS ARE PRESENT. READ INSTRUCTIONS CAREFULLY BEFORE STARTING INSTALLATION.**
- Starting at the Passenger / Right side-front of the vehicle, locate the front factory body mounting bolt. Next from the list of parts above select (1) 7/16" -14 x 1.75 coupling nut **Note:** it may be necessary to clean the threads on the factory bolt, attach the coupling nut onto the treads of the factory bolt torque to 40ft/lbs. attach Passenger / Right side front mounting bracket and the spacer tube place with (1) 7/16-14 hex bolt,(1) 7/16" flat washer & (1) 7/16" lock washer through the bracket then the spacer tube secure to coupling nut as seen in **(Fig 1)**. Snug but do not tighten hardware at this time.
- From the list of parts above select the Passenger/Right side rear frame bracket parts A & part B begin to assemble these parts together by first threading the 10mm x 25mm Hex head bolt into part A just a few turns as seen in **(Fig 2)** next connect parts A & B together with (1) 12mm x 40mm hex bolt (2) 12mm flat washers (1) 12mm lock washer & (1) 12mm hex nut, Snug but do not tighten hardware at this time.
- Moving to the Passenger/Right side rear of the vehicle, attach the rear frame bracket part A to the bottom lip of the frame rail as seen in **(Fig 3)** Snug the 10mm Hex head bolt but do not tighten hardware at this time.
- Next select the 7/16"-20 coupling nut **Note:** it may be necessary to clean the threads on the factory bolt and secure it on to the seat belt bolt located near the end of the door jam under the rocker panel as seen in **(Fig 4)** torque to 40ft/lbs.
- Select the Passenger/Right side sidebar and secure it to the front & rear mounting brackets with the (2) 12mm x 50mm hex bolts, (2) 12mm flat washer, and (2) 12mm lock washers. As seen **(Fig 5)**. Snug but do not tighten hardware at this time.
- Next select the rear brace bracket and attach it to the coupling nut with (1) 7/16"-20 Hex bolt,,(1) 7/16" flat washer & (1) 7/16" lock washer, Snug but do not tighten hardware at this time. Attach the lower part of the bracket to the sidebar with (1) 10mm x 25mm hex bolt, (1) 10mm flat washer, and (1) 10mm lock washer. Also seen **(Fig 4)** Snug but do not tighten hardware at this time.
- Level and align Sidebar properly; then tighten all hardware at this time.
- Repeat steps 2-7 for Driver/left sidebar.
- Do periodic inspections to the installation to make sure all hardware is secure and tight.

To protect your investment, wax this product after installing. Regular waxing is recommended to add a protective layer over the finish. Do not use any type of polish or wax that may contain abrasives that could damage the finish.

For stainless steel: Aluminum polish may be used to polish small scratches and scuffs on the finish. Mild soap may be used also to clean the Sidebar.

For gloss black finishes: Mild soap may be used to clean the Sidebar.

FRONT PASSENGER SIDE

Fig 1

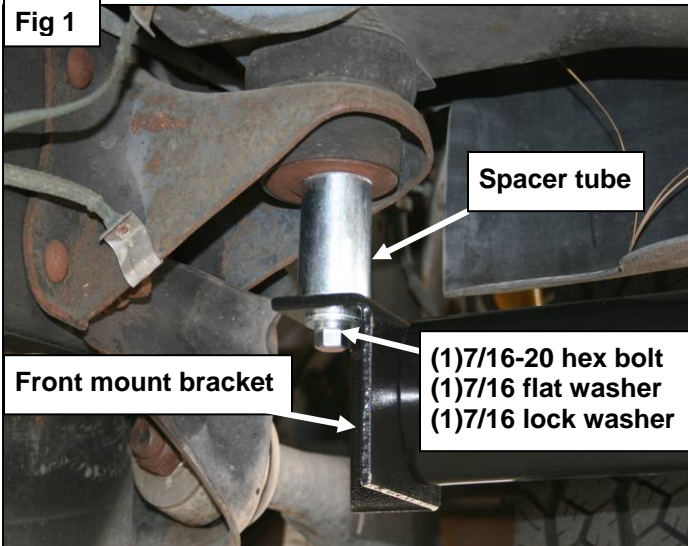


Fig 2

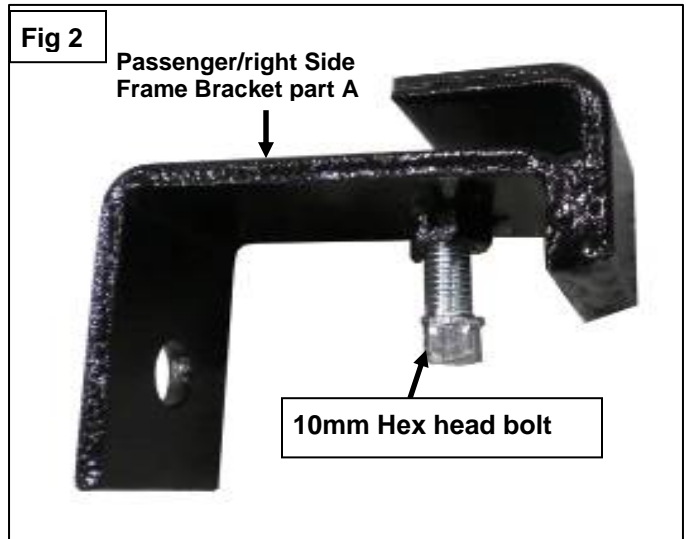


Fig 3

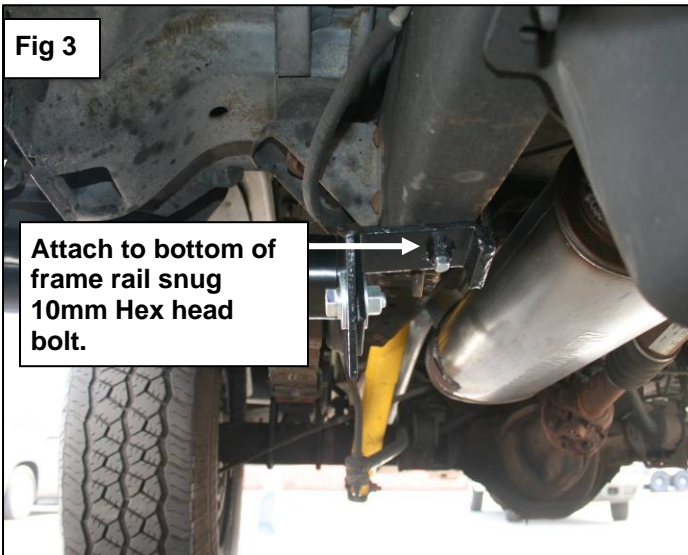


Fig 4

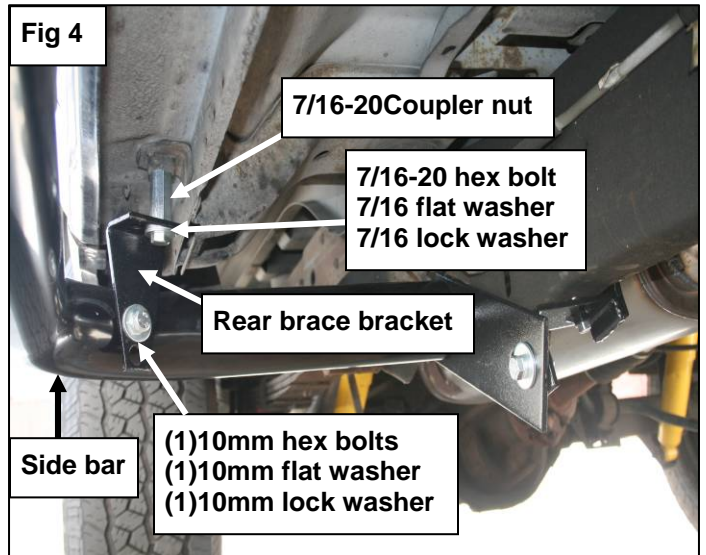


Fig 5

