



**INSTALLATION INSTRUCTIONS**  
**2005-09 GRAND CHEROKEE**  
**PART # 201003 / 201003-2**

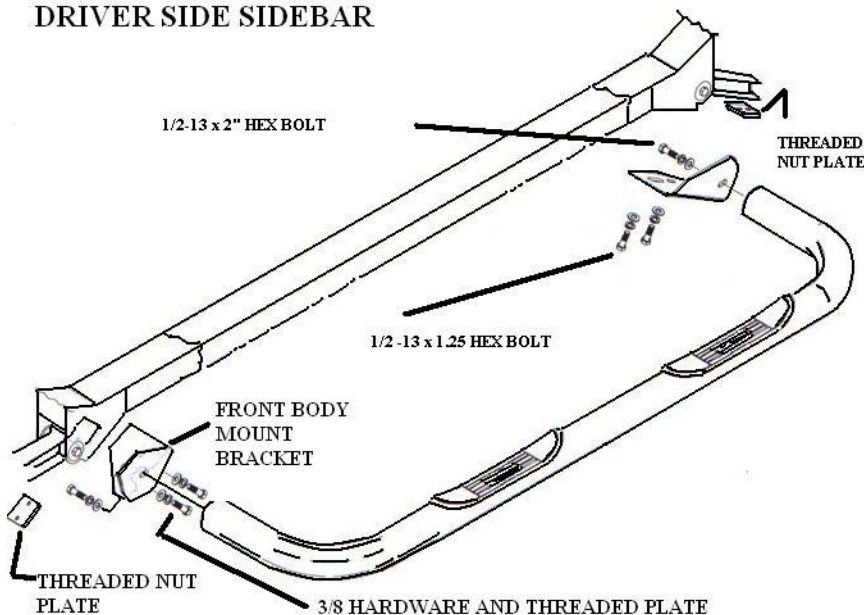
**QTY.**

**CONTENT**

1	DRIVER SIDE TUBE
1	PASSENGER SIDE TUBE
2	FRONT MOUNT BRACKETS (DRIVER AND PASSENGER SIDE)
2	REAR MOUNT BRACKETS (DRIVER AND PASSENGER SIDE)
2	THREADED NUT PLATE (FRONT)
2	THREADED PLATE (REAR)
4	1/2 -13 X 1.25" HEX HEAD BOLT
4	1.2 13 X 2 HEX HEAD BOLT
8	1/2" FLAT WASHERS
8	1/2" LOCK WASHERS
4	3/8 X 1.25 HEX HEAD BOLTS
4	3.8 FLAT WASHERS
4	3/8 LOCK WASHERS

- STEP 1** REMOVE CONTENTS FROM BOX AND VERIFY ALL PART ARE PRESENT. READ INSTRUCTIONS COMPLETELY BEFORE BEGINNING.
- STEP 2** INSTALL BOTH FRONT AND REAR MOUNTING BRACKETS ONTO STEP BARS (FIGURE 1), USING (4) 1/2 -13 x 2" HEX HEAD BOTLS, FLAT AND LOCK WASHERS. LEAVE LOOSE.
- STEP 3** FASTEN FRONT MOUNTING BRACKETS TO FRONT SUSPENSION MOUNTS, SEE FIGURE 1, USING (4) 1/2 13 x 1.25 HEX HEAD BOLTS, 1/2 WASHERS (FLAT AND LOCK) AND FRONT NUT PLATES (NUTS ARE WELDED TO PLATE. **DO NOT USE THREADED PLATE**).
- STEP 4** PLACE REAR OF STEP BAR TUBE UP TO REAR SUSPENSION POINTS, FIGURE 1, USING (3/8 x 1.25 HEX HEAD BOLT, WASHERS, AND THREADED PLATES.
- STEP 5** CHECK TO BE SURE STEP BAR IS PROPERLY ALIGNED WITH GRAND CHEROKEE BODY, THEN TIGHTEN AND TORQUE MOUNTING BRACKET BOLTS TO 65 LBS. TIGHTEN STEP BAR BOLTS UNTIL STEP BAR FEELS SECURE.

**DRIVER SIDE SIDEBAR**



**FINISH PROTECTION-** ARIES PRODUCTS HAVE A HIGH FINISH THAT MUST BE MAINTAINED SUCH AS ANY OTHER HIGH FINISH PRODUCT ON THE VEHICLE. PROTECT THE FINISH WITH A NON-ABRASIVE AUTOMOTIVE WAX. THE USE OF SOAP, POLISH, OR WAX THAT CONTAINS ABRASIVES IS DETRIMENTAL, AS THE COMPOUNDS SCRATCH THE FINISH AND OPEN IT TO CORROSION.

**DISCLAIMER-** BUYER ASSUMES ALL RISK AND LIABILITY WHATSOEVER FROM THE INSTALLATION AND USE OF ARIES PRODUCTS. ARIES PRODUCTS ARE SOLD AS DECORATIVE ACCESSORIES AND SHOULD NOT BE RELIED UPON AS PROTECTION FOR THE VEHICLE OR OCCUPANTS IN THE EVENT OF A COLLISION OR ROLL OVER. ARIES AUTOMOTIVE ASSUMES NO LIABILITY FOR INJURY, LOSS, INCIDENTAL OR CONSEQUENTIAL DAMAGES IN THE EVENT OF A COLLISION OR ROLLOVER.