

# INSTALLATION MANUAL

1500302

## Level of Difficulty

Easy

Installation difficulty levels are based on time and effort involved and may vary depending on the installer level of expertise, condition of the vehicle and proper tools and equipment.

## Parts List

Qty	Description
1	Front fender flare, driver side
1	Front fender flare, passenger side
16	Button head bolts, 6mm x 25mm
16	Flat washers, 6mm x 12mm OD x 1.6 mm
16	Lock washers
16	Nut plates
1	Hex wrench

## Tools Required

Ratchet, 10mm	Panel trim removal tool
Phillips screwdriver	--

## Torque Specifications

M6 bolt	6 ft-lbs.
Use above torque setting unless otherwise noted	

## Product Photo



## NOTICE

Visit [www.ariesautomotive.com](http://www.ariesautomotive.com) for a full-color copy of this instruction manual, as well as helpful videos, guides and much more!

Before you begin installation, read all instructions thoroughly.

Proper tools will improve the quality of installation and reduce the time required.

Periodic inspection of your product should be performed to ensure all hardware and / or components remain secure.

To help prevent damage to the product or vehicle, refer to the specified torque specifications when securing hardware during the installation process.

## Maintenance

Mild automotive detergent may be used to clean the product. Do not use dish detergent, abrasive cleaners, abrasive pads, wire brushes or other similar products that may damage the finish.

## Product Registration and Warranty

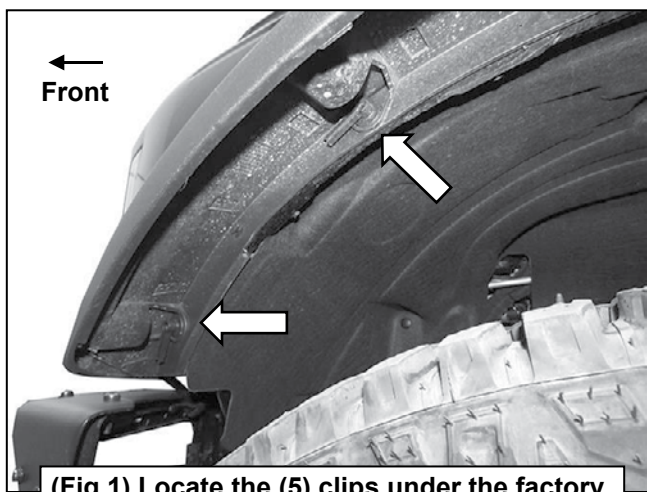
ARIES stands behind our products with industry-leading warranties. To get copies of the product warranties, register your purchase or provide feedback, visit: [warranty.curtgroup.com/surveys](http://warranty.curtgroup.com/surveys)

## PROCEDURE:

**REMOVE CONTENTS FROM BOX. VERIFY ALL PARTS ARE PRESENT. READ INSTRUCTIONS CAREFULLY. ASSISTANCE IS RECOMMENDED.**

1. Start installation on the Driver/Left side of the vehicle. Locate the (5) plastic clips attaching the fender to the body of the vehicle, **(Figure 1)**. Rotate counter clockwise to release the clips. Carefully pry the fender away from the vehicle and place in a safe location, **(Figure 2)**.
2. Locate the hardware attaching the fender liner to the outer edge of the wheel well. Temporarily remove the hardware to access the backside of the fender location.
3. Select the Driver/Left Fender. With assistance, hold up the Fender to the mounting location. Determine the holes needed in the body. Attach the holes in the Fender to the body with (8) 6mm Button Head Bolts, (8) 6mm Lock Washers, (8) 6mm Flat Washers and (8) 6mm Nut Plates, **(Figures 3 & 4)**. Do not tighten hardware.
4. Adjust the position of the Fender and fully tighten all hardware.
5. Repeat **Steps 1—4** for Passenger/Right side Fender installation.
6. Do periodic inspections to the installation to make sure that all hardware is secure and tight.

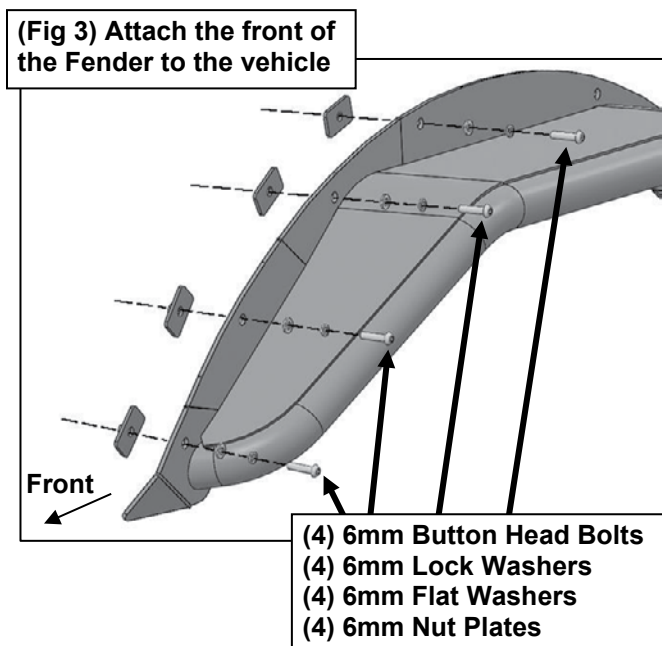
### Driver/Left Side Installation Pictured



**(Fig 1) Locate the (5) clips under the factory fender, turn the clips counter clockwise. Carefully pry the fender away from vehicle**

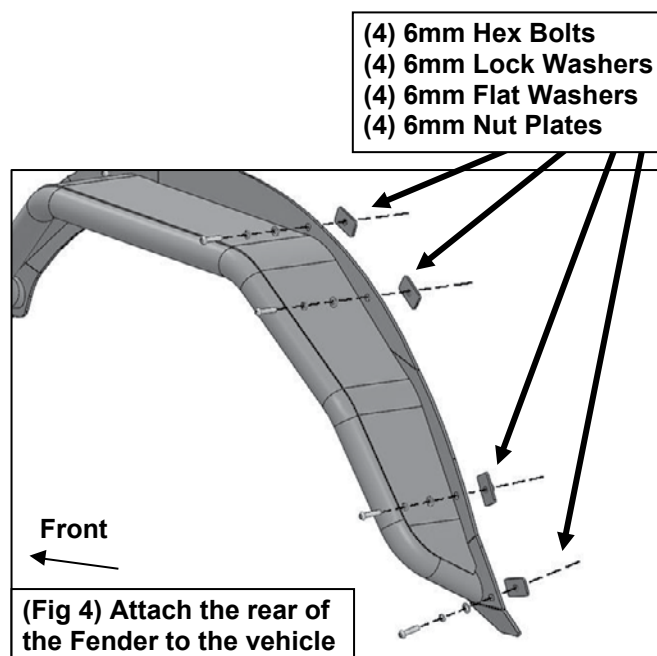


**(Fig 2) Locate and temporarily remove the hardware attaching the fender liner to the edge of the wheel well**



**(Fig 3) Attach the front of the Fender to the vehicle**

**(4) 6mm Button Head Bolts  
(4) 6mm Lock Washers  
(4) 6mm Flat Washers  
(4) 6mm Nut Plates**



**(4) 6mm Hex Bolts  
(4) 6mm Lock Washers  
(4) 6mm Flat Washers  
(4) 6mm Nut Plates**

**(Fig 4) Attach the rear of the Fender to the vehicle**