

Parts List

2	Light mounting bracket
2	Hex bolt, M8
2	Flat washer, M8
2	Lock washer, M8
2	Hex nut, M8
2	Nut plate, M8

Tools Required

Torque wrench	Socket, 13mm
Extension	--

Torque Specifications

	Torque Specifications	
METRIC	M6 bolt	3 ft.-lbs.
	M8 bolt	7 ft.-lbs.
	M10 bolt	16 ft.-lbs.
	M12 bolt	28 ft.-lbs.
SAE	1/4" bolt	3 ft.-lbs.
	5/16" bolt	7 ft.-lbs.
	3/8" bolt	16 ft.-lbs.
	7/16" bolt	20 ft.-lbs.
	1/2" bolt	28 ft.-lbs.

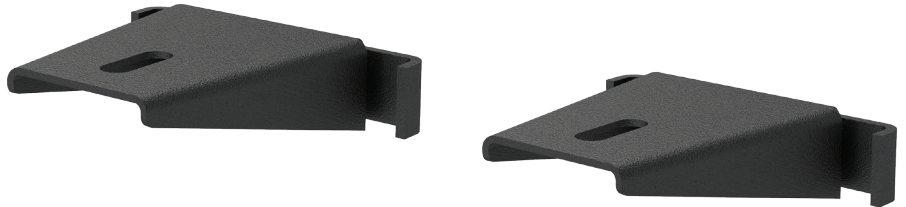
Level of Difficulty

Easy



Scan for helpful install tips

Product Image



Notes and Maintenance

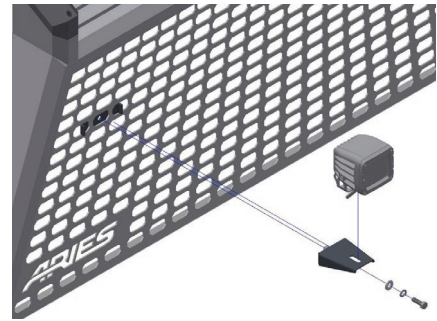
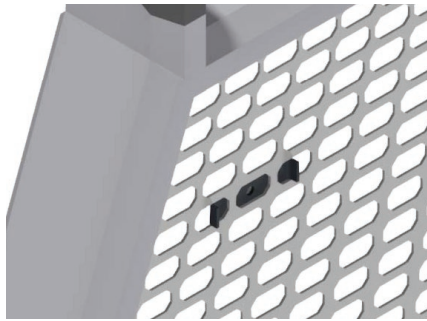
- Before you begin installation, read all instructions thoroughly.
- Proper tools will improve the quality of installation and reduce the time required.
- For black finishes, mild soap may be used to clean the product.
- Refer to the table to the left when securing hardware during the installation process to help prevent damage to the product or vehicle.

Step 1 - Mounting Style 1

Hold the nut plate up to the desired mounting location on the back of the headache rack mesh.

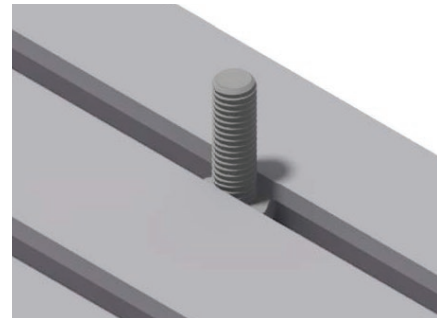
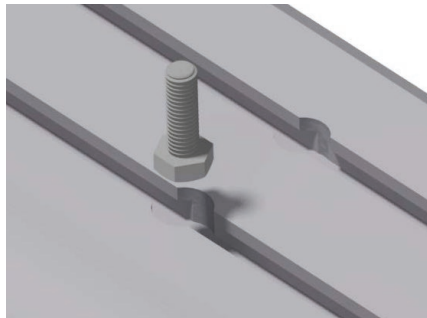
Attach the mounting bracket using an M8 hex bolt, flat washer and lock washer.

Skip to step 3.



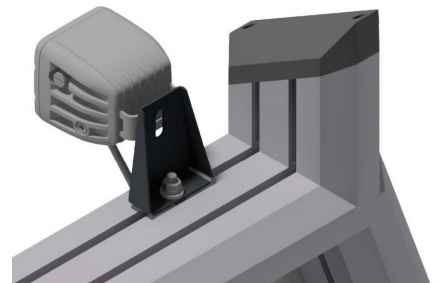
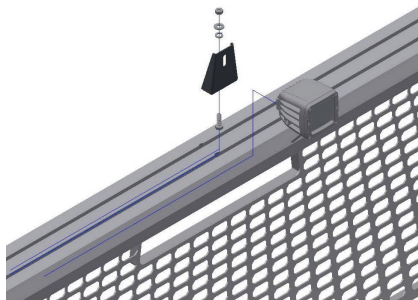
Step 1 - Mounting Style 2

Insert an M8 hex bolt into the top track on the headache rack and slide the bolt to the desired position.



Step 2 - Mounting Style 2

Place the light mounting bracket on top of the M8 hex bolt and secure the bracket using an M8 flat washer, lock washer and hex nut.



Step 3

Using the hardware provided with the light, attach the light to the mounting bracket.

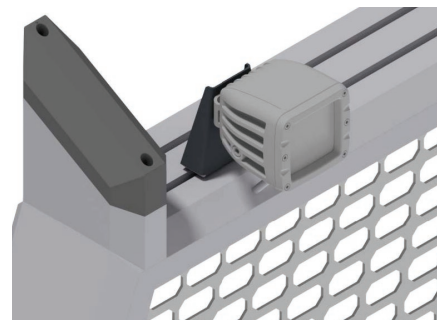
Tighten all hardware to the recommended torque specifications listed in the table on the first page.

With the mounting bracket installed, periodic inspections should be performed to ensure all mounting hardware remains tight.

Congratulations on the installation of your new ARIES light mounting brackets.



Mounting Style 1



Mounting Style 2