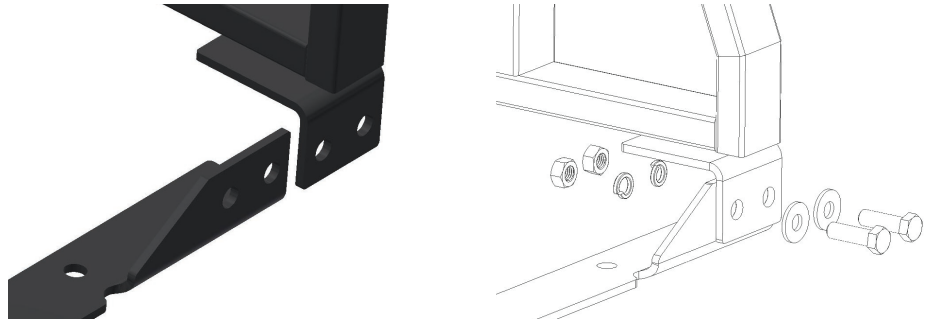


Step 1

Attach the headache rack to the passenger-side bracket with two M12 x 40mm hex bolts, four M12 flat washers, two M12 lock washers and two M12 hex nuts.

Snug the hardware, but do not fully tighten at this time.

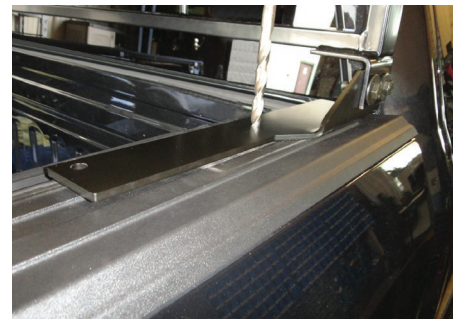
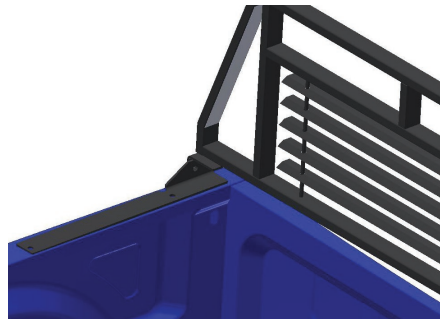
Repeat on the driver side.



Step 2

With help, place the headache rack onto the upper rails of the truck box.

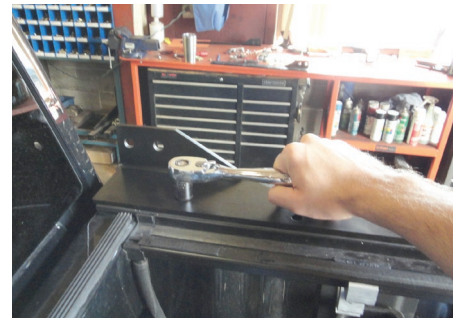
Once the headache rack is in the desired location, mark the mounting holes on both sides of the vehicle. Drill 13/32" holes on the upper rails.



Step 3

Secure the headache rack to the truck rails with two M12 x 50mm hex bolts, four M12 flat washers, two M12 lock washers and two M12 nuts per side.

Snug the hardware, but do not fully tighten at this time.



Step 4

Level and align the headache rack to the desired position. Tighten all hardware to 79 ft-lbs.

Congratulations on the installation of your new ARIES headache rack.

With the headache rack installed, periodic inspections should be performed to ensure all mounting hardware remains tight.

